

Ecobot 50

Preparation



1 If the machine is turned off with the key, turn back to on position.



2 Remove machine from charger and ensure the emergency cut off switch is free (outer position).



3 Raise top computer to access the tank.



4 Ensure all filters are clean and in place. Fill clean water tank and ensure tank lid is properly closed.



5 Ensure squeegee or dust mop are mounted.



6 Open the front cover protection cover to access pad/brush drives.



7 Raise brush strip to access brush/pad drive.



8 Mount brush or suitable pads for the task to be carried out.

Operation



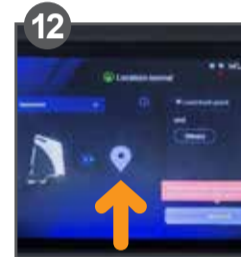
9 Choose profile and log in with your personal pin.



10 Check if machine is in manual mode for free movement.



11 Select desired map to operate in.



12 Ensure "location" (📍) is normal (grey) if not (red) locate machine.



13 To locate, take the machine to the Landmark point and click arrived - machine will rotate to locate.



14 When located, choose task, check cleaning mode and No. of times carry out task. Press start.



15 The robotic system can clean the area autonomously.



16 Remove drainage hose to start draining the dirty water tank.



17 Remove plug to empty the freshwater tank. This drains through the same hose as the dirty water tank.



18 Remove all filters and rinse both tanks.



19 Place the filters back into position (see pictogram* for help). Replace drainage hose when complete.



20 Clean the squeegee and dismantle the blades when needed. Replace if required.



21 Dismount the brushes/pads and clean them.

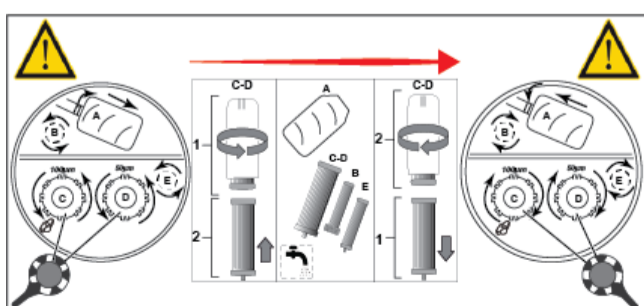


22 Wipe machine down with damp cloth.



23 Place machine on charge.

Maintenance



* Pictogram

ATTENTION!

Do not use the machine before you have read and understood the operating instructions!
Questions: 1-800-558-2332

