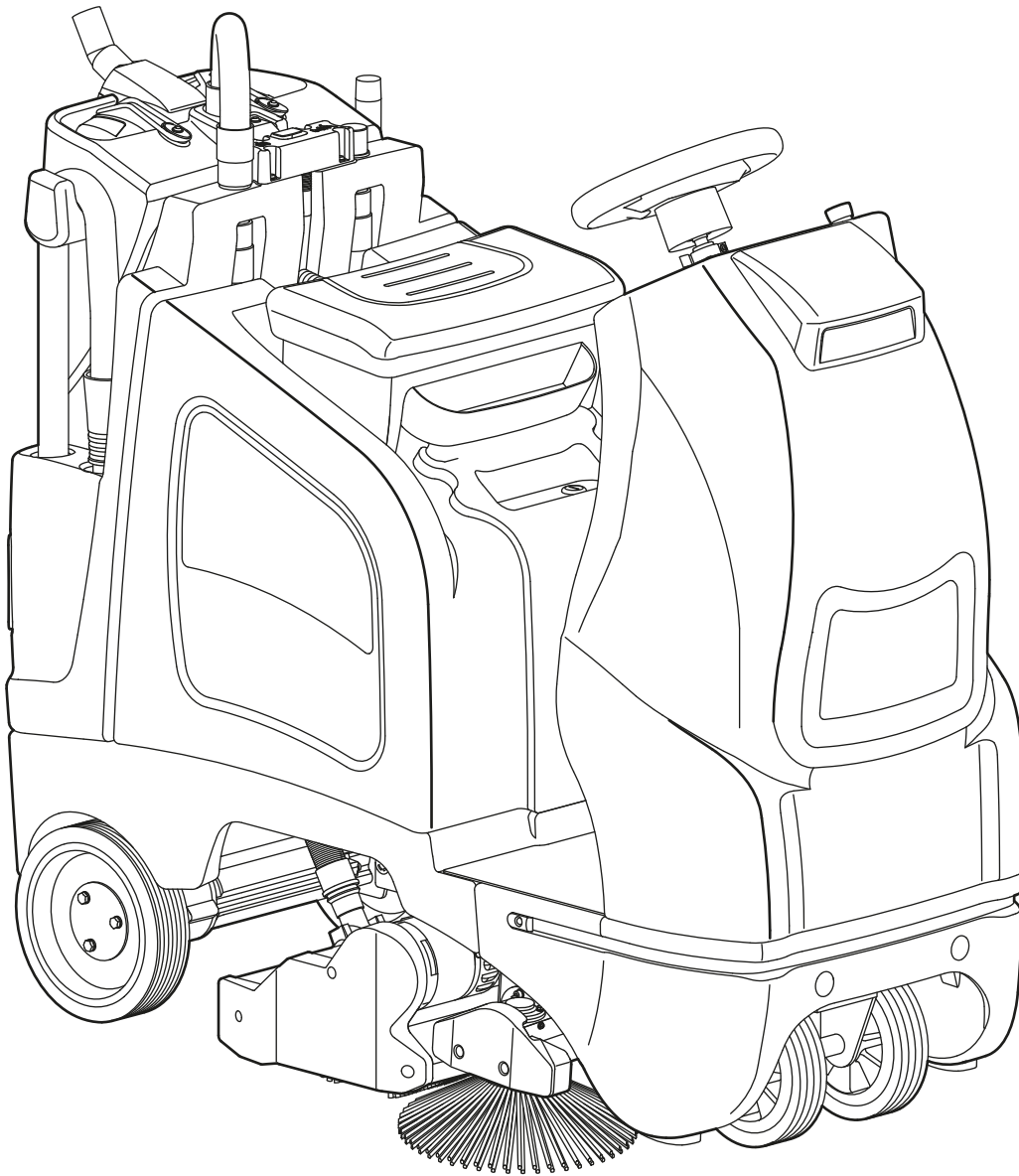




AERO 3500µmicro

EN .2
ES .15
FR .28
PT .42



BG	C настоящото декларираме, че цитираната по-долу машина съответства по концепция и конструкция, както и по начин на производство, прилаган от нас, на съответните основни изисквания за техническа безопасност и безвредност на Директивите на ЕС. При изменение на продукта, което не е съгласувано с нас, тази декларация губи своята валидност.
CZ	Tímto prohlásujeme, že níže označené stroje odpovídají jejich základní koncepci a konstrukčním provedením, stejně jako námi do provozu uvedenými konkrétními provedeními, příslušným zásadním požadavkům o bezpečnosti a ochraně zdraví směrnic EU. V případě změny výrobku, která nebyla námi odsouhlasena, ztrácí toto prohlášení svou platnost.
DA	Hermed erklærer vi, at den nedenfor nævnte maskine i design og konstruktion og i den af os i handlen bragte udgave overholder de gældende grundlæggende sikkerhedsog sundhedskrav i EU-direktiverne. I tilfælde af ændringer af produktet, som vi ikke har godkendt, bortfalder gyldigheden af denne erklæring.
DE	Hiermit erklären wir, dass die nachfolgend bezeichnete Maschine aufgrund ihrer Konzipierung und Bauart sowie in der von uns in Verkehr gebrachten Ausführung den einschlägigen grundlegenden Sicherheits- und Gesundheitsanforderungen der EU-Richtlinien entspricht. Bei einer nicht mit uns abgestimmten Änderung des Produktes verliert diese Erklärung ihre Gültigkeit.
EN	We hereby declare that the machine described below complies with the relevant basic safety and health requirements of the EU Directives, both in its basic design and construction as well as in the version put into circulation by us. In the event of a product amendment which was not cleared by us, this declaration shall no longer be valid.
ES	Por la presente declaramos que la máquina designada a continuación cumple, tanto en lo que respecta a su diseño y tipo constructivo como a la versión puesta a la venta por nosotros, las normas básicas de seguridad y sobre la salud que figuran en las directivas comunitarias correspondientes. En caso de realizar una modificación no autorizada por nosotros, esta declaración pierde su validez.
ET	Käesolevaga kinnitame, et alpool kirjeldatud seade vastab meie poolt turule toodud mudelina oma konseptisioonilt ja konstruktsioonilt EL direktiivide asjakohastele põhilistele ohutus- ja tervisekaitse nõuetele. Käesolev kinnitus kaotab kehtivuse, kui toodet muudetakse meiega kooskõlastamata.
FI	Vakuutamme, että alla mainitut tuotteet vastaavat suunnittelultaan ja rakenteeltaan sekä valmistustavaltaan EU-direktiivien asianomaisia turvallisuus- ja terveysvaatimuksia. Mikäli tuotetta muutetaan ilman meidän antamaa lupaa, tämä ilmoitus lakkaa olemasta voimassa.
FR	Nous certifions par la présente que la machine spécifiée ci-après répond de par sa conception et son type de construction ainsi que de par la version que nous avons mise sur le marché aux prescriptions fondamentales stipulées en matière de sécurité et d'hygiène par les directives européennes en vigueur. Cette déclaration perd sa validité si le produit est modifié sans notre consentement.
GR	Δια της παρούσης δηλώνουμε ότι το μηχάνημα που χαρακτηρίζεται παρακάτω, με βάση τη σχεδίαση και την κατασκευή του, υπό τη μορφή που διατίθεται στην αγορά, πληροί στις σχετικές βασικές απαιτήσεις ασφαλείας και υγιεινής των οδηγιών της ΕΕ. Σε περίπτωση τροποποίησης του προϊόντος χωρίς τη συγκατάθεσή μας, η παρούσα δήλωση θα καταστεί άκυρη.
HR	Izjavljujemo da navedeni uređaj u svojoj zamisli i konstrukciji te kod nas korištenoj izvedbi odgovara osnovnim sigurnosnim i zdravstvenim zahtjevima u skladu s niže navedenim direktivama Europske Zajednice. U slučaju neovlaštene izmjene proizvoda prestaje valjanost ove izjave.
HU	Ezennel tanúsítjuk, hogy az alábbiakban megnevezett gép tervezése és építési módja alapján az általunk forgalomba hozott kivitelben megfelel az EU irányelvek vonatkozó, alapvető biztonsági és egészségügyi követelményeinek. Amennyiben olyan módosítás történik a terméken, amelyet előzetesen nem egyeztetek velünk, akkor a jelen nyilatkozat érvényét veszti.
IT	Con la presente si dichiara che la macchina qui di seguito indicata, in base alla sua concezione, al tipo di costruzione e nella versione da noi introdotta sul mercato, è conforme ai requisiti fondamentali di sicurezza e di sanità delle direttive UE. In caso di modifica del prodotto senza la nostra autorizzazione, questa dichiarazione non sarà più valida.
LT	Šiuo pareiškiame, kad toliau aprašyto aparato brėžiniai ir konstrukcija bei mūsų į rinką išleistas modelis atitinka pagrindinius ES direktyvų saugumo ir sveikatos apsaugos reikalavimus. Ši deklaracija netenka galios, jei gaminyso pakeičiamas nesuderinusi jo pakeitimų su mumis.
LV	Ar šo mēs paziņojam, ka turpmāk minētā iekārta, pamatojoties uz tās konstrukciju un izgatavošanas veidu, kā arī mūsu apgrozībā laistajā izpildījumā atbilst ES direktīvu attiecīgajām galvenajām drošības un veselības aizsardzības prasībām. Ja tiek veikta ar mums nesaskaņota izstrādājuma izmaiņšana, šī deklarācija nav derīga.
NL	Hierbij verklaren wij dat de hierna vermelde machine door haar ontwerp en bouwwijze en in de door ons in de handel gebrachte uitvoering voldoet aan de betreffende fundamentele veiligheids- en gezondheidsisen, zoals vermeld in de desbetreffende EU-richtlijnen. In geval van een niet met ons overeengekomen wijziging van het product, verliest deze verklaring haar geldigheid.
NO	Vi erklærer hermed at maskinen angitt nedenfor oppfyller de grunnleggende sikkerhetsog helsekravene i de relevante EU-direktivene, med hensyn til både design, konstruksjon og type markedsført av oss. Ved endringer av produkter som ikke er godkjent fra oss, bortfaller denne erklæringen.
PL	Niniejszym oświadczamy, że określone poniżej urządzenie odpowiada pod względem koncepcji, konstrukcji oraz wprowadzonej przez nas do handlu wersji obowiązującym wymogom dyrektywy UE dotyczących wymagań w zakresie bezpieczeństwa i zdrowia. W przypadku dokonania nieuzgodnionych z nami zmian w produkcie niniejsza deklaracja traci ważność.
PT	Declaramos que a máquina a seguir designada corresponde às exigências de segurança e de saúde básicas estabelecidas nas Directivas UE por quanto concerne à sua concepção e ao tipo de construção assim como na versão lançada no mercado. Em caso de uma alteração do produto que não tenha sido autorizada por nós, esta declaração perde a sua validade.
RO	Prin prezenta declarăm că aparatul desemnat mai jos corespunde cerințelor fundamentale privind siguranța în exploatare și sănătatea include în directivele UE aplicabile, datorită conceptului și a modului de construcție pe care se bazează, în varianta comercializată de noi. La o modificare a produsului care nu a fost aprobată de noi în prealabil, această declarație își pierde valabilitatea.
RU	Настоящим мы заявляем, что нижеуказанный прибор по своей концепции и конструкции, а также в осуществленном и допущенном нами к продаже исполнении отвечает соответствующим основным требованиям по безопасности и здоровью согласно директивам EU. В случае несогласованного с нами изменения изделия настоящее заявление становится недействительным.
SK	Týmto vyhlasujeme, že ďalej označený stroj zodpovedá na základe jeho koncepcie a konštrukcie a takisto vyhotovenia, ktoré sme dodali, príslušným základným požiadavkám na bezpečnosť a ochranu zdravia uvedeným v smerniciach EÚ. V prípade zmeny výrobku, ktorá s nami nebola konzultovaná, stráca toto vyhlásenie svoju platnosť.
SL	S to izjavo potrjujemo, da spodaj omenjeni stroj zaradi svoje zasnovne in načina izdelave ustreza temeljnim varnostnim in zdravstvenim zahtevam EU-standardov. V primeru spremembe izdelka, ki ni bila potrjena z naše s strani, ta izjava ni več veljavna.
SV	Härmed försäkras vi att nedanstående betecknade maskin i ändamål och konstruktion samt i den av oss levererade versionen motsvarar EU-direktivens tillämpliga grundläggande säkerhets- och hälsokrav. Vid av oss ej godkända ändringar på produkten upphör denna förklaring att gälla.
TR	İşbu belge ile aşağıda tanımlanan makinenin konsepti ve tasarımı ve tarafımızdan piyasaya sürülen modeliyile AB yönetmeliklerinin temel teşkil eden ilgili güvenlik ve sağlık yükümlülüklerine uygun olduğunu bildiririz. Üründe yapılan herhangi bir değişiklik bu beyanı geçersiz kılar.
YU	Ovim izjavljujemo da ovde opisana mašina po svojoj koncepciji i načinu izrade, sa svim njenim modelima koje smo izneli na tržište, odgovara osnovnim zahtevima dole navedenih propisa Evropske Zajednice o sigurnosti i zdravstvenoj zaštiti. U slučaju izmena na proizvodu koje nisu dogovorene s nama, ova izjava ne važi.

Item description: **Ride-on vacuum cleaner for commercial use**

Model: **AERO 3500µicro**

Type: **AERO 3500**

Serial Number: **Refer to the rating label on the machine**

Trademark: **TASKI®**

Manufacturer: **Diversey Europe Operations B.V., Maarssenbroeksedijk 2, NL - 3542 DN Utrecht**

Produced by: **Diversey Switzerland Production GmbH, Eschlikonerstrasse, 9542 Münchwilen TG, Switzerland**



Applicable EU Directives:

Directive 2006/42/EC | Directive 2014/30/EU

Harmonised standards:

EN 60335-1: 2012+A11: 2014+A13: 2017+A2: 2019 / EN 60335-2-72: 2012 / EN 55012: 2007+A1: 2009 / EN 55014-2: 2015 / EN 62233: 2008 /

Authorized signatory:

Andreas Bosch
Executive Director Machines and Robotics
Münchwilen, 10.03.2021

Diversey
Diversey Europe Operations BV
Maarssenbroeksedijk 2
3542 DN Utrecht - The Netherlands

Responsible for technical file:

Andreas Bosch
Executive Director Machines and Robotics
Diversey Europe B.V. Utrecht
Zweigniederlassung Münchwilen
Eschlikonerstrasse
9542 Münchwilen - Switzerland

CE first applied: 01.2021

The signatories act on behalf of company management and with full power of attorney.

EN Translation of the original instructions of use



Always read the instructions of use and the safety instructions before using the machine for the first time. The instructions of use must be kept in a safe and well-accessible place so that you can refer to them at any time.

Legend:



Danger:

This sign designates important information. Failure to follow these instructions may endanger persons and/or cause extensive property damage!



Warning:

This sign designates important information. Failure to follow these instructions may endanger persons, result in malfunctions, and cause property damage!



Caution:

This sign designates important information. Failure to follow these instructions may result in malfunctions and property damage!



Notice:

This sign designates important information regarding the efficient use of the product. Failure to follow these instructions may cause malfunctioning!

Content

Safety instructions	2
Cleaning products	3
Further documents	3
Structural layout	4
Batteries	5
Prior to commissioning	7
Beginning work with the machine	10
End of operation	11
Service, maintenance and care	12
Malfunctions	13
Technical information	13
Accessories	14
Error codes	14
Transport	14
Disposal	14
Machine Dimensions	14

Intended use

The machines are intended for commercial use (e.g. in hotels, schools, hospitals, factories, shopping centers, sports centers, offices, etc.).

The application techniques described on page 9 apply for the individual model types and in strict compliance with the instructions of use.



Danger:

Changes to the machine without authorization from Diversey will invalidate the safety marks and CE conformity. Using the machine in a way contrary to the intended purpose can cause personal injury as well as damage to the machine and the working environment. Such cases will usually result in the termination of any warranty and any possible guarantee claims.



Warning:

This machine is for dry use only.



Caution:

This machine is for indoor use only.

Safety instructions

Due to their design and construction, TASKI machines comply with the relevant essential health and safety requirements of the EC directives; they therefore have the CE sign.



Danger:

The machine may only be used by persons who are adequately trained to use the machine or who have provided proof of their skills for using the machine and who are explicitly tasked with using the machine.



Danger:

The machine must not be used by people with reduced physical, sensory, or mental capacities, including children or people who lack experience or knowledge.

Children must be supervised to ensure that they do not play with the machine.



Danger:

Do not use the machine in rooms where explosive or highly combustible substances (e.g. gas, solvents, heating fuel, dust, etc.) are stored or processed.

These substances could be ignited by the electrical or mechanical components of the machine.



Danger:

Do not use the machine to vacuum up toxic, harmful, corrosive or irritant substances (e.g. dangerous dust, etc.) or flammable liquids. The filter system does not adequately filter out these kinds of substances.

Possible impacts on the health of the user or third persons cannot be ruled out.



Danger:

Pay attention to conditions in the area as well as third persons and children! In the vicinity of blind spots, such as doors or curves, it is important to reduce speed.



Danger:

Do not transport additional persons and objects with this machine.



Danger:

If the machine malfunctions, there is a defect, the machine collides with something, or the machine topples over, it must be inspected by an authorized expert before restarting. The same applies if the machine was left outdoors, immersed in water, or exposed to moisture.

STOP Danger:

Cease operation of the machine immediately if safety-related parts such as brush covers, power supply cords, or covers that enable access to live parts are damaged!

STOP Danger:

Do not stop, park, or store the machine on slopes.

STOP Danger:

Whenever work is performed on the machine, it must be switched off and the key must be removed.

STOP Danger:

The machine can be used on slopes <2% while cleaning.

STOP Danger:

The machine can be used on slopes <10%. Be sure to drive slowly on slopes using the "turtle mode" in order to ensure the machine can be stopped safely. Sharp cornering on slopes can affect the stability of the machine and is therefore prohibited. Danger of accident.

STOP Danger:

The machine may only be used on a paved, stable and sufficiently strong load-bearing surface.
In the case of non-adherence there is a risk of accidents.

Warning:

The machine must be operated and stored exclusively in a dry and low-dust environment at temperatures between +10°C / + 50 °F and +35°C/ + 95 °F degrees.

Warning:

Only authorized experts who are familiar with all safety instructions relevant to this machine are allowed to repair mechanical or electrical machine parts.

Warning:

Only tools (brushes, pads or similar) that are specified in these instructions of use under accessories, or which have been recommended by a TASKI consultant, may be used. Any other brushes might impair the safety and functions of the machine.

Warning:

National regulations for personal protection and accident prevention, as well as the manufacturer's instructions for the use of cleaning solutions, must be consistently observed.

Caution:

Use this machine with suitable batteries and approved chargers only.

Caution:

The machine must be protected against unauthorized use. Always pull out the key before leaving the machine or store the machine in a locked room.

i Notice:

TASKI machines and devices are designed such that health risks caused by noise emissions or vibrations can be ruled out according to the current state of science.
See the technical data on page 13.

Cleaning products

i Notice:

TASKI machines are designed to produce optimal cleaning results when TASKI cleaning products are used. Other cleaning products may cause malfunctions and damage to the machine or the environment. Therefore, we recommend the exclusive use of TASKI cleaning products.

Malfunctions caused by the use of inappropriate cleaning products are not covered by the warranty.

- For further details, please contact your TASKI service partner.

Further documents

i Notice:

The machine's electric diagram can be found in the spare parts list.

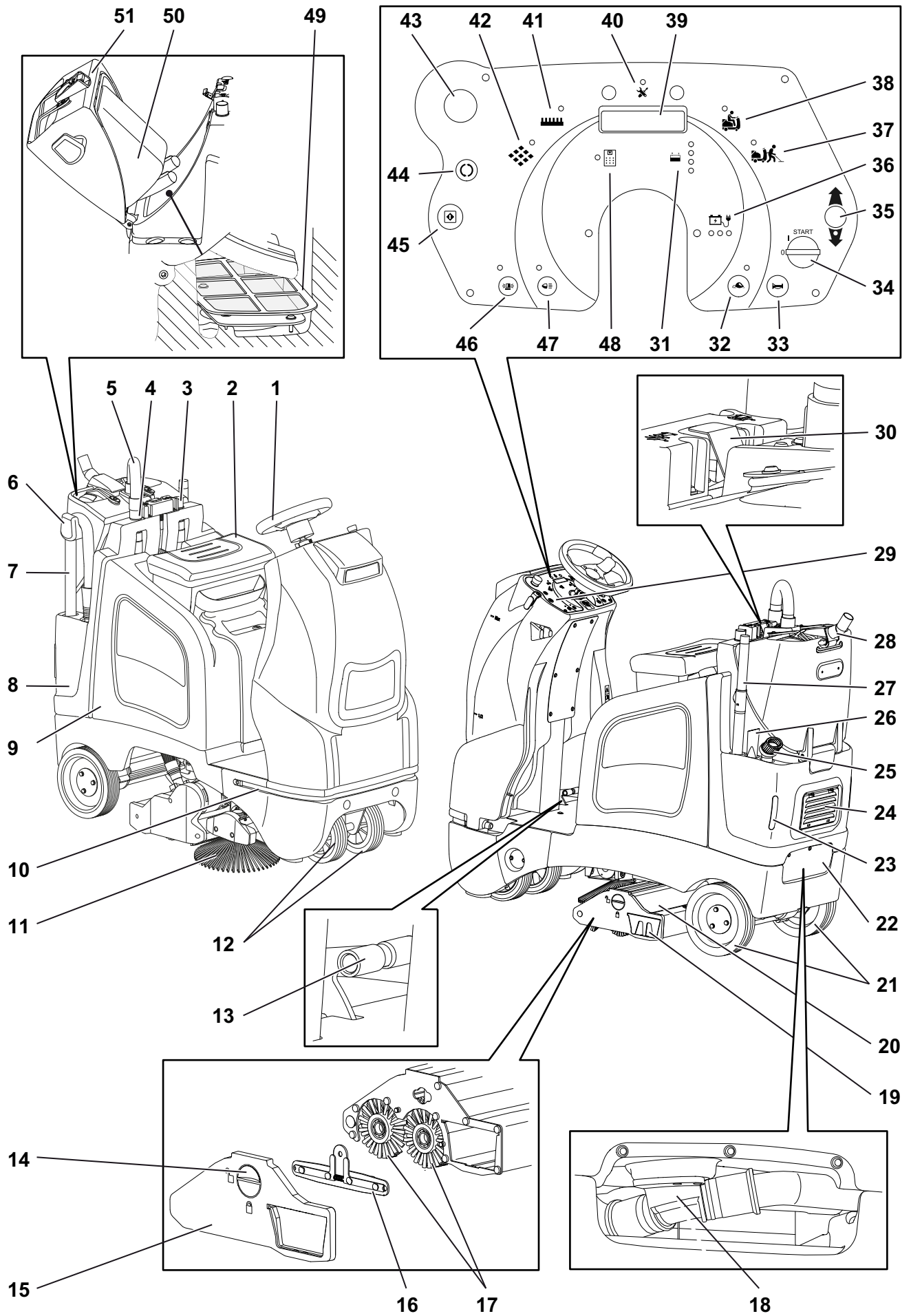
- Please contact your customer service for further information.

i Notice:

These instructions of use, as well as all instructions of use for TASKI machines, are available on the following website:

www.taski.com

Structural layout



- 1 Steering wheel
- 2 Driver seat with seat switch (presence monitoring)
- 3 Suction hose connector auto mode
- 4 Suction hose connector manual mode
- 5 Suction hose (working modes: Auto & Manual)
- 6 Suction hose holder
- 7 Suction hose manual mode
- 8 Tank
- 9 Battery compartment
- 10 LED work light
- 11 Side broom
- 12 Castor wheels
- 13 Gas pedal
- 14 Brush unit cover lock
- 15 Brush unit cover
- 16 Brush holder
- 17 Roller brush
- 18 Suction hose connection nozzle
- 19 Dirt sieve
- 20 Brush unit
- 21 Drive wheels
- 22 Suction hose connection nozzle cover
- 23 Warning and reversing light LED
- 24 Filter (HEPA optional)
- 25 Dusting nozzle
- 26 Crevice nozzle
- 27 Telescope tube
- 28 Combi sliding nozzle
- 29 Operating panel
- 30 Tank cover lock
- 31 Battery indicator
- 32 Slow approach button (ON/OFF)
- 33 Horn button
- 34 Key switch
- 35 Reversing button
- 36 Battery charging level indicator
- 37 Manual mode indicator
- 38 Auto mode indicator
- 39 Display
- 40 Service display
- 41 Brush unit setting carpet indicator
- 42 Brush unit setting hard floor indicator
- 43 Emergency stop
- 44 Carpet/hard floor setting button
- 45 Program button (ON/OFF)
- 46 LED warning light buttons (ON/OFF)
- 47 LED work light button (ON/OFF)
- 48 Dust bag indicator
- 49 Filter cloth
- 50 Fleece dust bag
- 51 Tank cover

Batteries

Permissible batteries

Traction batteries must be used in this machine (no wet battery sets, starter or device batteries). We recommend the use of pure traction batteries. Only these batteries can ensure a long service life.

Traction batteries are produced as closed and maintenance-free (VRLA) batteries (gel and AGM, Pure Lead, and lithium). The machine must be adjusted accordingly for each design type and manufacturer. Each battery has a different service life and performance.

The machine and charger must be programmed after the batteries have been inserted, when the battery type and/or the manufacturer are changed, and prior to starting the machine.

Incorrect adjustment may result in early battery failure.

Notice:

Do not use different, old batteries with new or defective batteries.

Notice:

Old and/or defective batteries must be disposed of properly. See the information on page 14

Safety measures to be taken when handling batteries



Batteries contain acid. Always wear safety goggles when performing maintenance, installing, or removing wet battery sets.



Rinse acid splashes in your eyes or on your skin with plenty of clear water. Then immediately consult a doctor. Wash your clothes with water!



Charging batteries creates a dangerous gas mixture. Keep away from open fire or glowing embers.



Do not smoke!



Danger of acid burns!



Attention! The battery poles are always energized, therefore do not place any objects on the batteries!

Caution:

Keep batteries clean and dry. Immediately wipe off leaking acid or water.

- Wear protective gloves for this purpose.

Caution:

Batteries may only be installed by service agencies or experts approved by Diversey; they must be installed in compliance with the connection diagram.

Installation and/or connection errors may result in severe injury, explosion and major damage to the machine and the environment.

⚠ Caution:

Ensure adequate ventilation when charging the battery.

i Notice:

The product safety data sheet provided by the battery manufacturer must be observed.

i Notice:

The operating instructions provided by the battery manufacturer must be met.

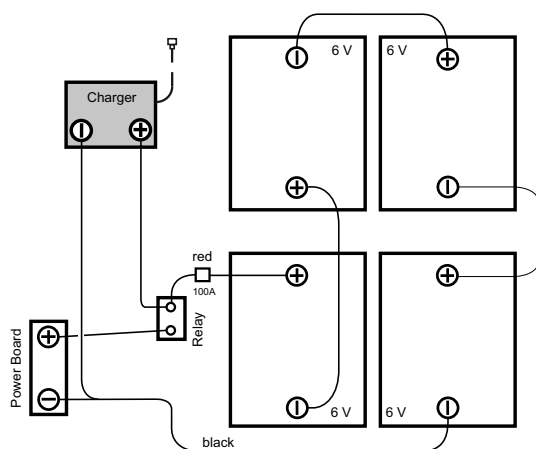
⚠ Caution:

Always disconnect the batteries from the machine before starting maintenance work.

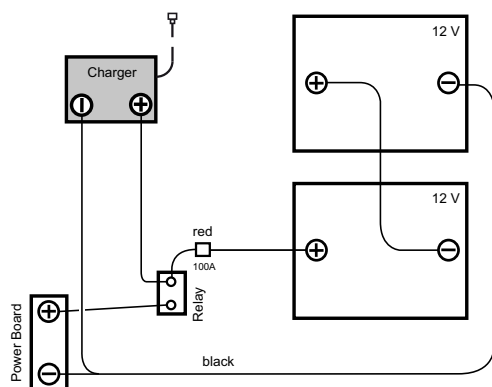
Battery connection diagram

AERO 3500micro (Gel)

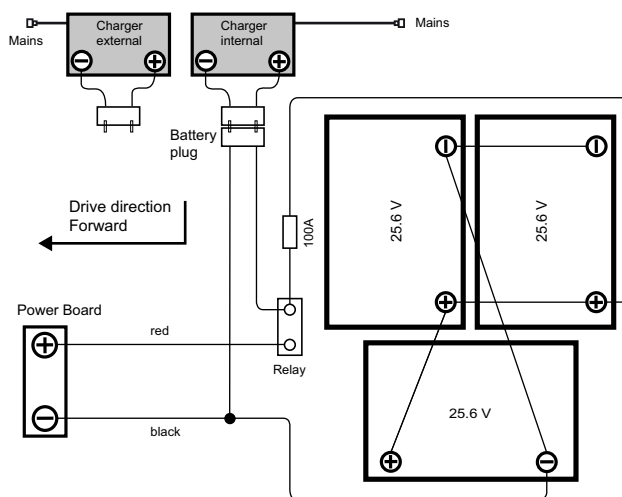
6V batteries



12V batteries



AERO 3500micro (Lithium)



Charging process

⚠ Caution:

Please pay careful attention to the instructions of use provided by the manufacturer of the external battery charging device.

⚠ Caution:

Each battery type and/or battery manufacturer requires different charging characteristics. *Incorrect charging characteristics or the use of inappropriate chargers may result in early failure or the quick destruction of batteries.*

i Notice:

Optionally available on-board chargers are adapted to the battery size and contain several charging curves, which are adjusted ex factory or by a TASKI service technician for recommended batteries. This regulation also applies for the use of stationary (external) chargers.

⚠ Caution:

Persistent short-term use with subsequent battery charging may cause long-term damage to the batteries.

- Standard value: At least approx. 20% of the available capacity should be used up before recharging the battery.

⚠ Caution:

In order to achieve the maximum possible service life, traction batteries must run through a complete charging cycle (12-16 hours) twice a week.

⚠ Caution:

Before decommissioning the machine for a longer period, the batteries must run through a complete charging cycle. The charger is then disconnected from the machine and/or mains. Batteries gradually discharge. Depending on the type of battery, they must be recharged after 3-6 months.

- Before recommissioning, the batteries should run through another complete charging cycle.

Charging procedure with external charger

i Notice:

Only chargers recommended by the battery manufacturer and certified according to SELV (safety extra-low voltage) may be used.

STOP Danger:

Do not plug the charger into the machine while it is under tension (charger switched on).

The user may be injured by electric shock.

⚠ Warning:

Charging cables transfer high currents. Do not use the charger if there are any signs of damage to the plug, cable, or device connection.

- Connect the external battery charger with the battery charging plug of the machine.

i Notice:

Make sure that the plug is inserted up to the stop in order to ensure a good electrical contact.

i Notice:

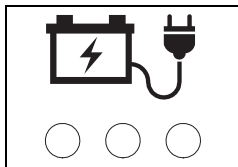
Check whether the plugged-in charger has started the charging process.

i Notice:

All machine functions are deactivated during charging.

Charging procedure with (optional) on-board charger

- The machine must be switched off.
- Connect the main cord with a socket (protected by slow fuse).



- The yellow indicator is constantly lit until approx. 90% of the battery capacity has been reached. Afterwards, the indicator flashes until the battery is fully charged.
- When the charging process is complete, the green indicator is lit.

After charging

⚠ Warning:

Switch off the charger before disconnecting it from the batteries.

Disconnecting the charger while it is still switched on may cause an explosion in the battery compartment.

- Stow away the power cord for (optional) on-board chargers in the provided compartment.
- Store the charging cable in a dry place where it is protected against damage.

Maintenance and care of open batteries

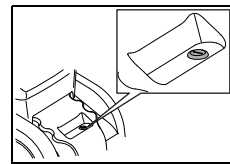
i Notice:

Caring for maintenance-free batteries only entails following proper charging procedures and configuring the charging curve correctly.

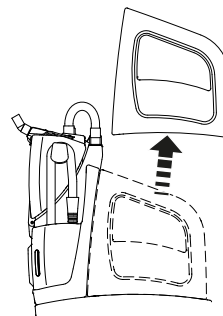
Open battery compartment for maintenance

- The machine must be switched off.
- Remove the driver seat from the seat hood and place it on the floor.

In this way you prevent the driver seat from falling down and thereby prevent injuring people.



- Unlock the battery compartment with the provided key.



- Remove the seat hood and carefully place it on the floor.

Now the battery can be serviced according to the manufacturer's notification.

Prior to commissioning

Parking brake

- The parking brake is automatically unlocked by the electronics when actuating the gas pedal.

i Notice:

When the machine is standing still, the parking brake is always activated.

This is regardless of whether the machine is switched on or off.

Release:

i Notice:

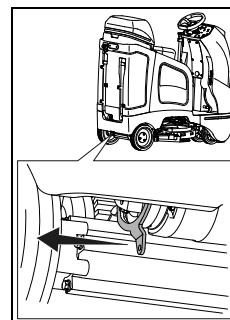
The driver seat is equipped with a seat switch (presence detection). This seat switch is actuated when the driver seat is occupied by the operating personnel.

The machine can only be operated when the seat switch is actuated.

Emergency stop:

i Notice:

If the steering or power supply fails, the parking brake can be released by hand.



- To this end, the unlocking lever must be permanently pulled. The lever is situated near the left rear wheel.

Check emergency stop

⚠ Caution:

The emergency stop button is an important safety element.

- Therefore, the function of the button must be checked regularly in short time intervals, before using the machine.
- Switch the machine on.
- Press the driving switch while keeping the steering wheel straight. The machine will start to move straight ahead.
- Now press the emergency stop.

i Notice:

The machine must abruptly brake to a complete stop and drive straight ahead without steering correction.

STOP Danger:

If one of these functions is not working, the machine must be decommissioned until it can be professionally repaired by an authorized TASKI service partner.

Warning devices

⚠ Warning:

Warning devices such as warning light, flashing light and signal tone when reversing must be regularly checked for functioning. Malfunctions must be resolved immediately.

Heightened caution and awareness is required to operate the machine if any of the warning devices are missing or defective.

- Covering the warning devices is forbidden.

⚠ Warning:

National regulations always take priority.

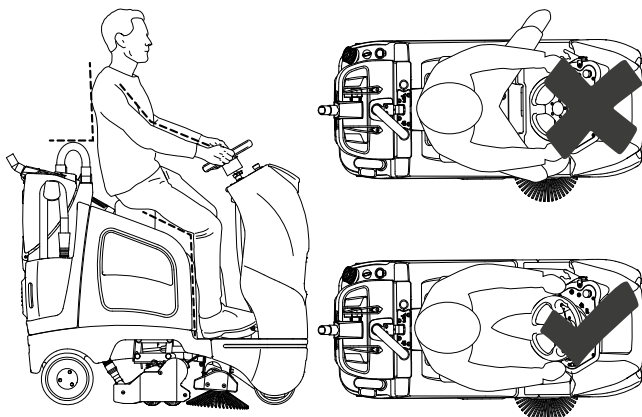
- These can require different rules of conduct and absolutely must be adhered to.

Adjust sitting position

i Notice:

The driver seat and steering wheel can be adjusted as required in order to achieve a comfortable sitting position.

Recommended sitting posture

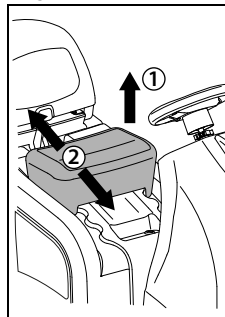


⚠ Warning:

Pay attention to maintaining the correct sitting posture. Your legs must not laterally protrude from the machine.

Lateral protruding of the legs may lead to severe injuries in narrow passages or on fixed objects (e.g. railings, posts, etc.) in the cleaning environment.

Adjust driver seat

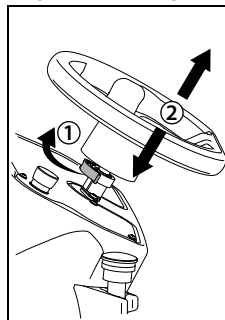


- The position of the driver seat can be adjusted by lifting [1] and sliding [2] it.

i Notice:

Make sure the driver's seat is correctly positioned in the grooves provided

Adjust steering wheel



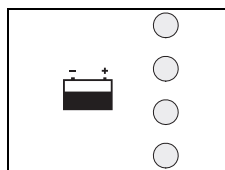
- Unlock the lever [1], adjust the steering wheel [2] to the desired position, and lock the lever again.

Relocation drive

The driving direction can be controlled with the steering wheel and the speed with the gas pedal. The speed is continuously regulated. When the gas pedal is released, the machine decelerates until it stops and the parking brake is activated.

Driving forward

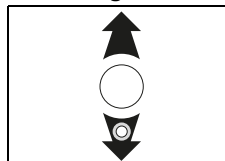
- Switch on the machine (key switch).
- All indicator elements light up briefly. *The battery level indicator notifies you that the machine is ready for operation. (in case of malfunction, see page 13).*
- To drive forward, you only need to press the gas pedal.



⚠ Caution:

The speed is electronically reduced for driving around corners.

Reversing



- When the reversing button is activated, the indicator below lights up and an acoustic signal is emitted.

Moving the machine (in case of defect)

i Notice:

Generally, the machine should only be moved in pairs.

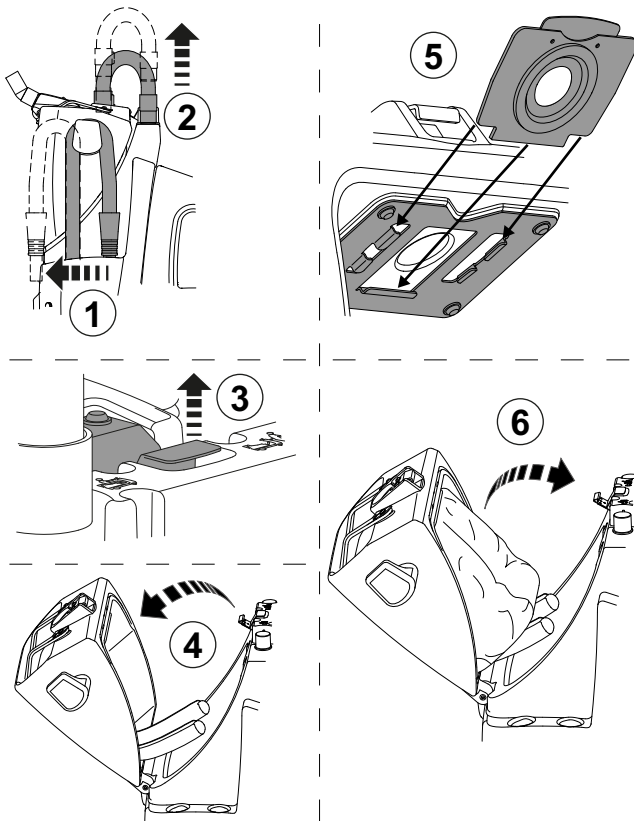
⚠ Warning:

Due to its heavy weight, moving the machine manually is very risky!

Missteps can lead to personal injury and damage to the machine.

- It can only be moved once the release button/lever is activated. (See page 7)

Dust bag installation



i Notice:

Never use the machine without an inserted fleece dust bag.

Roller brush installation

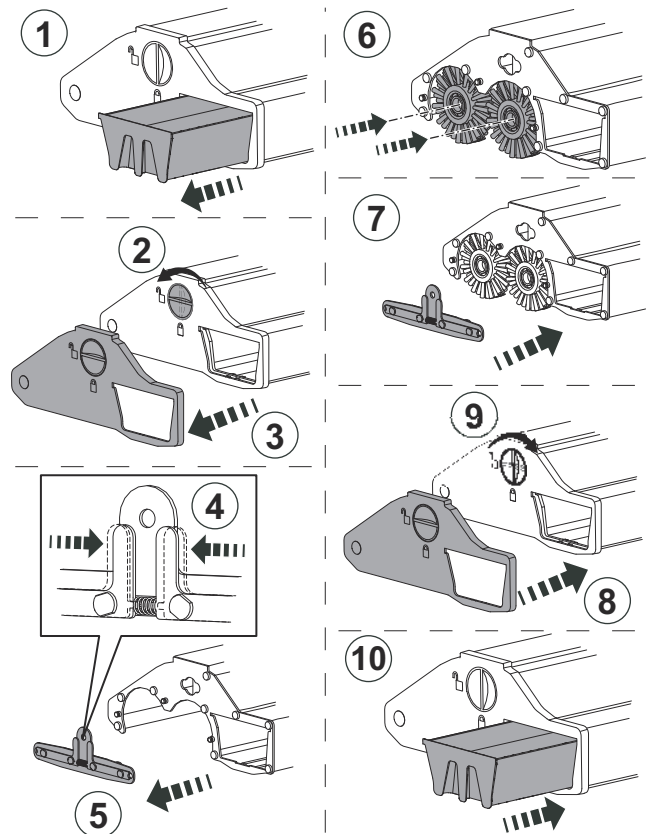
Before inserting, please ensure

- that the brush is not below the red/yellow marking or the bristles are not shorter than 1.4 cm.

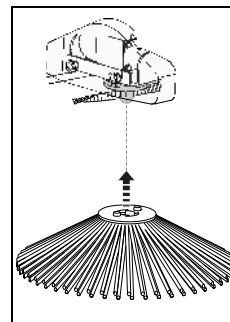
⚠ Caution:

Do not use brushes that have reached their wear limit. Use original TASKI brushes only.

Failure to observe these instructions may result in inadequate cleaning results or even floor damage.



Side broom installation



- Press the side broom upwards into the provided socket.
- Turn the side broom clockwise until the knobs clip into the socket holes.

i Notice:

You will know the side broom is installed correctly when it becomes impossible to turn it by hand.

Application technique

Machine	
Wet cleaning	No
Basic cleaning	No
Shampoo wet	No
Shampoo dry	No
Dry cleaning (hard floors and carpets)	Yes

Beginning work with the machine

Caution:

Always wear slip-resistant shoes and appropriate working clothes when working with this machine!

Caution:

To ensure safe operation, always keep both hands on the steering wheel/driving handle while operating the machine.

Caution:

When driving the machine for the first time, test it out in an empty space to get familiar with the machine.

Warning:

Before beginning work (in the work position), check whether your field of vision is sufficient to ensure safe working. EN 3411 must be adhered to.

An insufficient field of vision can make work difficult and therefore impair safety for the operator, machine, and third parties.

Warning:

While working, pay attention to the maximum clearance height for doors and underpasses shown on the warning sign on the machine.

Danger:

If there is a danger of falling objects while the machine is in use, the necessary safety precautions must be taken or adhered to in accordance with national regulations.

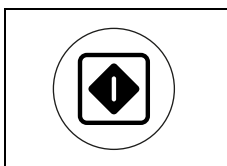
Notice:

When working in public buildings, the warning light must be switched on.

- Sit down on the driver seat.
- Check whether the emergency stop button is released.
- Switch on the machine (key switch).

The indicator elements will light up briefly.

Starting the machine using the program button



- By pressing the program button for the next operation start or work step, all machine functions are started on the basis of the functional values last used.

Notice:

The set values can be adjusted at any time during operation.

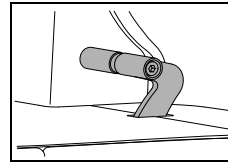
The values set when the machine is switched off are stored and will be automatically activated when the machine is restarted.

Notice:

Pressing the program button when the cleaning process is finished will start an optimized program for the end of operation. See instructions on page 11 in the "Automatic process" chapter.

Settings and activated functions are saved.

Cleaning start



- If the machine is switched on and the operator is sitting in the driver's seat, the machine will start moving as soon as the gas pedal is depressed. The brush unit and side broom are activated.

Notice:

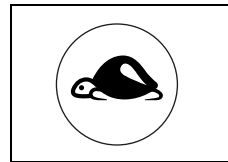
The speed is controlled by the position of the gas pedal. When the gas pedal is released, the machine will automatically decelerate until it stops and the parking brake is activated.

The side broom and the brush unit are stopped.

Caution:

When working in restricted or narrow areas, it is recommended to press the slow approach ON/OFF button. (Display lights up)

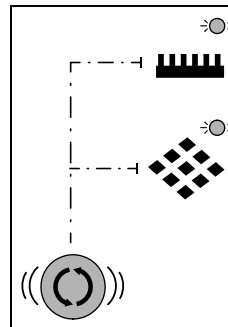
This reduces the maximum working speed, thus also reducing the risk of accidents.



- Pressing this button once more will override this restriction and the display will disappear.

Brush unit setting

The brush unit can be individually set for two different types of flooring.



- In order to configure the setting, activate the carpet/hard floor setting button.

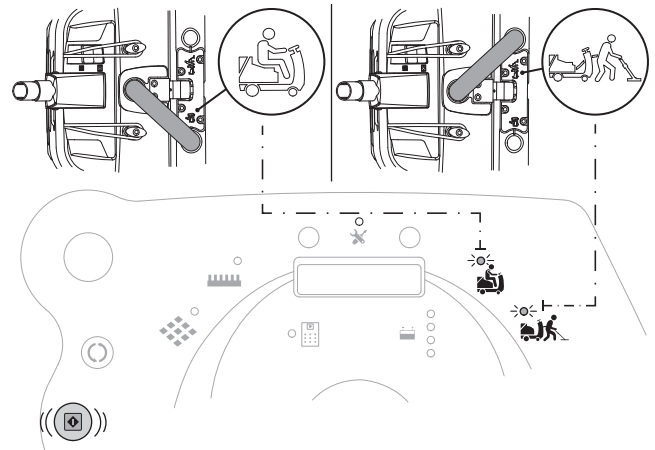
The configured selection will be shown on the operating panel.

Working modes

This machine has two different working modes. An auto and manual mode.

Auto mode

Manual mode



i Notice:

In some circumstances, certain combinations of flooring/soiling and cleaning products may impair the guiding of the machine.

- Optionally available wheels can improve the machine's traction on the floor. Please contact your TASI customer consultant.

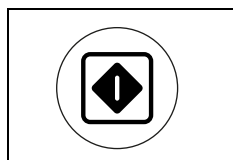
Battery capacity - end of operational readiness

The battery level indicator provides information on the available operating time.

- If the red indicator begins to flash, approx. 5 minutes of working time are left.
- The brush unit and side broom will be pulled up after that. The red display switches to a continuous light.
- Now you have 10 minutes to drive the machine to the charging station. Then the machine is automatically switched off.
- In order to restart, the batteries must be fully charged.

End of operation

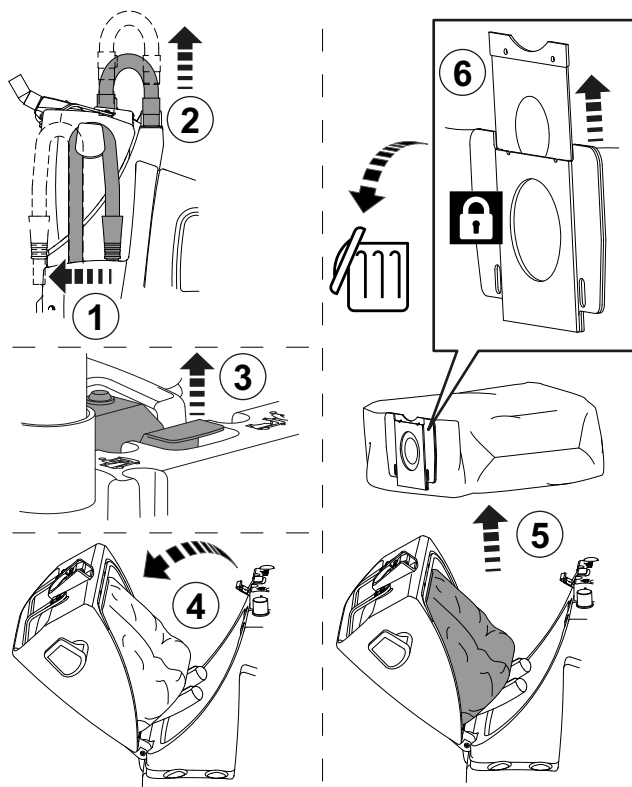
Automatic process



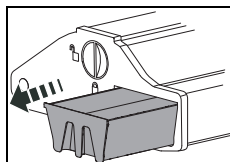
- Press the Program ON/OFF button.

- The suction motor is switched off.
- The side broom and brush unit are stopped and pulled up.

Replacing the dust bag

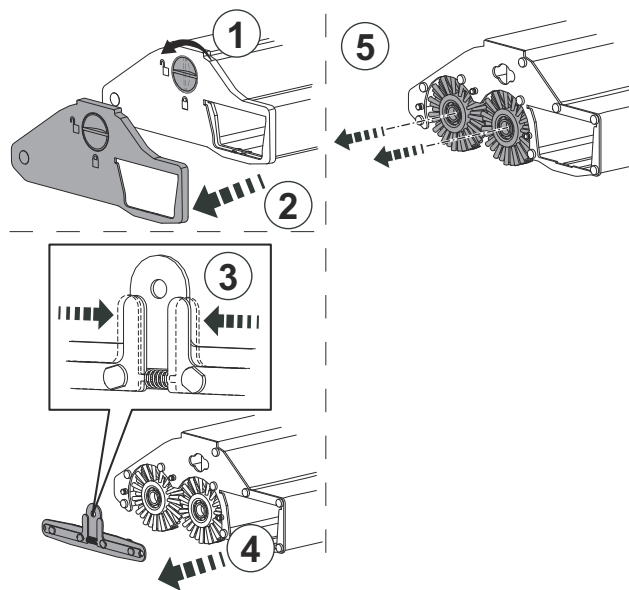


Removing and cleaning the dirt sieve



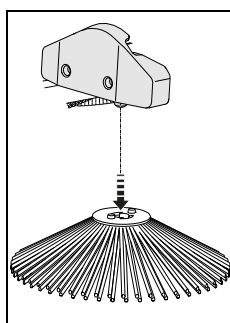
- Empty the dirt sieve and vacuum the remaining dust out with a vacuum cleaner.

Removing and cleaning the roller brush



- Remove any hair wound around the brush or similar debris and vacuum the rest of the dust up with a vacuum cleaner.

Removing and cleaning the side broom



- Remove any hair wound around the side broom or similar debris and vacuum the rest of the dust up with a vacuum cleaner.

Cleaning the machine

⚠ Caution:

Never clean the machine with a high-pressure cleaner or water jet.

Water ingress in the machine may cause considerable damage to the mechanical or electrical parts.

- Wipe the machine with a moist cloth.

Storing/parking the machine (not in operation)

i Notice:

Store the machine with a lifted brush unit and removed brushes.

⚠ Caution:

Never store the machine with uncharged batteries. Otherwise, the batteries will be damaged beyond repair.

Service, maintenance and care

The maintenance of the machine is a prerequisite for impeccable operation and a long service life.

Caution:

Use original TASKI parts only; otherwise any warranty and liability claims will be invalidated.

Notice:

In order to rule out unintended machine functions, the following must always be carried out before starting maintenance works

- the machine must be switched off,
- the key removed and
- the emergency stop confirmed.

Legend:

◇ = after every cleaning, ◇◇ = every week,
◇◇◇ = every month, ⊗ = service light

Activity	◇	◇◇	◇◇◇	⊗	Page
Charge batteries	•				7
Clean all parts marked in yellow	•				
Clean the roller brushes	•				11
Clean the side broom	•				11
Check/replace dust bag	•				11
Check/replace filter cloth	•				4
Check/replace exhaust filter		•			4
Check/replace HEPA filter		•			4
Wipe the machine using a damp cloth	•				11
Check emergency stop button				•	7
Maintenance and service program carried out by Diversey service technicians				•	

Service intervals

TASKI machines are high-quality machines that have been inspected for safety at the factory by authorized inspectors. Electrical and mechanical parts are subject to wear and aging after a longer period of use.



- In order to maintain operational safety and readiness for use, the machine must be serviced whenever the maintenance indicator lights up (factory setting is 650 working hours) or at least once a year.

Notice:

In case of extraordinary use and/or insufficient maintenance, shorter intervals may be required.

Service center

Please always indicate the type and number of the machine whenever you contact us to place an order or in case of malfunctions.

You can find this information on the nameplate of your machine. The address of your closest TASKI service partner is provided on the last page of these instructions of use.

Malfunctions

Malfunction	Possible causes	Troubleshooting	Page
Machine not functional, cannot be turned on	Machine is switched off	• Turn the key	4
	Emergency stop button pressed	• Release the emergency stop button	4
	Error code on the display	• Contact your service partner	14
	Immobilizer activated or fault in the controls	• Sit down on the driver seat	
	Batteries not charged or battery charger defective	• Charge batteries • Contact your service partner	7
	Batteries defective	• Contact your service partner	
Brush does not rotate	Brush drive switched off	• Press program button	4
	Motor rotates, brush does not	• Drive belt defective • Check if the tool is engaged • Contact your service partner	
Poor suction performance	Suction hose not connected correctly	• Connect suction hose	10
	Suction hose blocked	• Cleaning the suction hose	4
Brush unit or suction unit cannot be turned off	Error in the electronic system or in the control panel	• Stop the machine using emergency stop • Contact your service partner	4

Technical information

Machine		
Working width	65	cm
Roller brush width	51	cm
Dimensions (L x W x H)	135 x 58 x 128	cm
Maximum weight of operational machine	380	kg
Rated voltage	24V	DC
Rated power, nominal	1300	W
Effective volume	15	l

Values according to IEC 60335-2-72		
Sound pressure level LpA	<70	dB(A)
Uncertainty KpA	2.5	dB(A)
Total vibration	<2.5	m/s ²
Uncertainty K	0.25	m/s ²
Splash water guard	IPX3	
Protection class	III	

Accessories

No.	Item
7524872	One-way fleece dust bag AERO 3500 (10 pcs./packaging)
7524873	HEPA filter H13 AERO 3500
7524874	MopBox Support AERO 3500
7524875	Tool Holder AERO 3500
7524877	Roller brush kit AERO 3500
7524878	Side broom AERO 3500
7524879	Filter Fleece AERO 3500 (5 pcs./packaging)
7524880	Exhaust air filter AERO 3500 (5 pcs./packaging)

Error codes

Error codes are indicated on the display.

i Notice:

Switch the machine off and on again whenever an error code occurs.

Error codes might be remedied by switching the machine off and on.

Transport

⚠ Warning:

This machine may only be lifted using lifting gear (e.g. hoist, loading ramp, etc.).

⚠ Caution:

The battery disconnection socket must be disconnected for transport.

i Notice:

Transport the machine in an upright position.

i Notice:

Make sure that the machine is securely tied down in the transport vehicle.

Disposal

i Notice:

After decommissioning, the machine and accessory parts must be adequately disposed of in compliance with the national regulations.

- Please contact your Diversey service partner for help.

Batteries

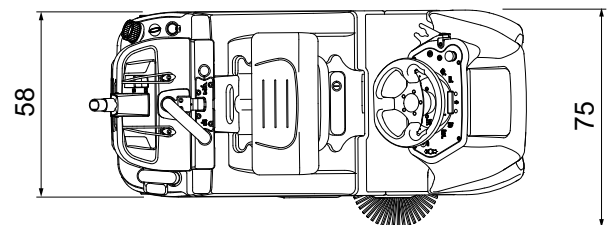
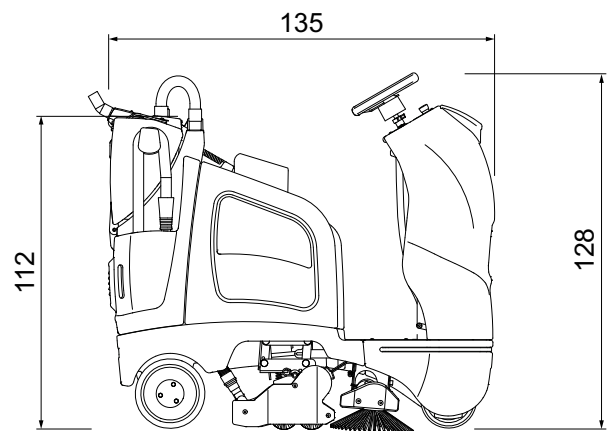
⚠ Warning:

Remove all batteries from the machine prior to proper disposal.

Used batteries must be disposed of in an environmentally friendly way in compliance with the EC directive 2006/66/EC or the respective national regulations.

Machine Dimensions

The dimensions are in centimeters!



ES Traducción de las instrucciones originales de uso



Antes de la primera puesta en funcionamiento es importante que lea estas instrucciones de uso y las instrucciones de seguridad. Conserve las instrucciones de uso cuidadosamente y en un sitio accesible para poder consultarlas en cualquier momento.

Explicación de los símbolos

STOP PELIGRO:

Este símbolo indica información importante. El incumplimiento de estas indicaciones puede producir peligros para las personas y/o grandes daños.

ADVERTENCIA:

Este símbolo indica información importante. El incumplimiento de estas indicaciones puede producir peligros para las personas y/o grandes daños.

ATENCIÓN:

Este símbolo indica información importante. El incumplimiento de estas indicaciones puede ocasionar averías o daños.

i INDICACIÓN

Este símbolo indica información importante relacionada con el uso eficiente del producto. El incumplimiento de estas indicaciones puede ocasionar averías.

Índice

Advertencias de seguridad	15
Productos de limpieza	16
Otros documentos	16
Vista general de la estructura	17
Baterías	18
Antes de la puesta en marcha	20
Comienzo del trabajo	23
Fin de la operación	24
Servicio, mantenimiento y cuidado	25
Averías	26
Información técnica	26
Accesorio	27
Códigos de error	27
Transporte	27
Eliminación	27
Dimensiones de la máquina	27

Uso adecuado de la maquinaria

Las máquinas deben destinarse para uso industrial, (p. ej. en hoteles, escuelas, hospitales, fábricas, centros comerciales, pabellones deportivos u oficinas, entre otros).

Las técnicas de aplicación indicadas en la página 22 sirven para los tipos individuales bajo consideración de estas instrucciones de uso.

STOP PELIGRO:

Los cambios a la máquina no autorizados por parte de Diversey conllevan la invalidación de los símbolos de seguridad y la Conformidad CE. La utilización de la máquina en contra del uso adecuado de la maquinaria puede producir daños a personas, a la máquina y al entorno laboral. Dichos casos conllevan siempre la pérdida de cualquier derecho de garantía.

ADVERTENCIA:

Esta máquina solo debe destinarse para limpiar en seco.

ATENCIÓN:

Esta máquina está diseñada exclusivamente para el uso en zonas interiores.

Advertencias de seguridad

Las máquinas TASKI cumplen por su diseño y estructura los requisitos de salud y seguridad básicos de la directiva CE y llevan por eso el símbolo CE.

STOP PELIGRO:

La máquina debe usarse solo por personas que han sido instruidas de forma adecuada sobre su uso o que han demostrado sus conocimientos con respecto al uso y se les haya encargado dicho uso explícitamente.

STOP PELIGRO:

La máquina no debe ser utilizada por niños ni por personas con capacidades físicas, sensoriales o mentales reducidas, o que carezcan de experiencia y conocimiento.

Los niños deben estar supervisados para asegurarse de que no juegan con la máquina.

STOP PELIGRO:

La máquina no debe usarse en espacios donde se almacenan o trabajan materiales con peligro de explosión o fácilmente inflamables (por ejemplo: gasolina, disolventes, fuelóleo, polvos, etc.).

Los componentes eléctricos o mecánicos podrían causar la combustión de este material.

STOP PELIGRO:

La máquina no debe ser utilizada para absorber materiales tóxicos, dañinos para la salud, corrosivos e irritantes (p. ej., polvo peligroso, etc.), o líquidos inflamables. Este sistema de filtrado no retiene suficientemente los materiales de este tipo.

Podría perjudicar la salud del usuario y de terceros.

STOP PELIGRO:

Durante el funcionamiento, preste atención a su alrededor, como por ejemplo terceras personas y niños. Se debe moderar la velocidad especialmente cerca de lugares con poca visibilidad, como por ejemplo puertas o curvas.

STOP PELIGRO:

Con esta máquina no deben transportarse otras personas u objetos.

STOP PELIGRO:

Si apareciera un fallo en el funcionamiento, un defecto así como tras una colisión o una caída, la máquina deberá ser inspeccionada por un profesional autorizado antes de volver a utilizarla. Lo anterior se aplica también cuando la máquina se deja en el exterior, se sumerge en el agua o se expone a la humedad.

STOP PELIGRO:

En caso de daños en piezas relevantes para la seguridad como la cubierta del cepillo, el cable principal o las cubiertas que dan acceso a piezas conductoras, se debe interrumpir inmediatamente el funcionamiento de la máquina.

STOP PELIGRO:

La máquina no debe ajustarse, estacionarse o almacenarse en lugares inclinados.

STOP PELIGRO:

La máquina debe estar desconectada y con la llave extraída durante todos los trabajos en ella.

STOP PELIGRO:

La máquina puede usarse en operaciones de limpieza en lugares con una inclinación de <2%.

STOP PELIGRO:

La máquina puede usarse en lugares con una inclinación de <10%. Las pendientes deben transitarse en una marcha lenta y con el empleo del "modo torga" para poder asegurar una parada segura. El cambio agudo en una pendiente puede perjudicar la estabilidad de la máquina, por lo que está prohibido. Existe peligro de accidente.

STOP PELIGRO:

La máquina solo debe utilizarse en suelos fuertes, estables y suficientemente firmes.

El incumplimiento da lugar a peligro de accidentes.

ADVERTENCIA:

La máquina solo debe operarse y almacenarse en un entorno seco y sin polvo a temperaturas de +10 °C/+ 50 °F a + 35 °C/+ 95 °F.

ADVERTENCIA:

Los trabajos de reparación en piezas mecánicas o eléctricas de la máquina deben realizarse solamente por especialistas autorizados, que conozcan todas las normas de seguridad relevantes.

ADVERTENCIA:

Se deben usar exclusivamente herramientas (cepillos, almohadillas o similar), que hayan sido fijadas dentro de los accesorios de estas instrucciones de uso o que hayan sido recomendadas por un asesor de TASKI. Otras herramientas pueden afectar negativamente a la seguridad y las funciones de la máquina.

ADVERTENCIA:

Las normativas nacionales para la protección personal y para la prevención de accidentes, como también las indicaciones del fabricante para el uso de materiales de limpieza, deben ser cumplidas de manera consecuente.

ATENCIÓN:

La máquina debe operarse solo con las baterías adecuadas y cargadores certificados.

ATENCIÓN:

La máquina debe protegerse de usos no autorizados. Saque las llaves antes de alejarse de la máquina o guárdelas en una habitación cerrada.

INDICACIÓN

Las máquinas y los dispositivos TASKI están diseñados de manera que, según el estado de la tecnología hoy en día, se pueden excluir peligros para la salud por las emisiones de ruidos o las vibraciones. Consulte los datos técnicos en la página 26.

Productos de limpieza

INDICACIÓN

Las máquinas TASKI están construidas de tal forma que se consiguen obtener resultados de limpieza óptimos con los productos de limpieza TASKI. Otros productos de limpieza pueden provocar averías y daños a las máquinas o el entorno laboral. Por esta razón, le recomendamos que use exclusivamente productos de limpieza TASKI.

Las averías que se produzcan por el uso de productos de limpieza incorrectos no estarán cubiertas por la garantía.

- Para una información más detallada, contacte con el servicio técnico de TASKI.

Otros documentos

INDICACIÓN

El esquema eléctrico para esta máquina se encuentra en la lista de piezas de repuesto.

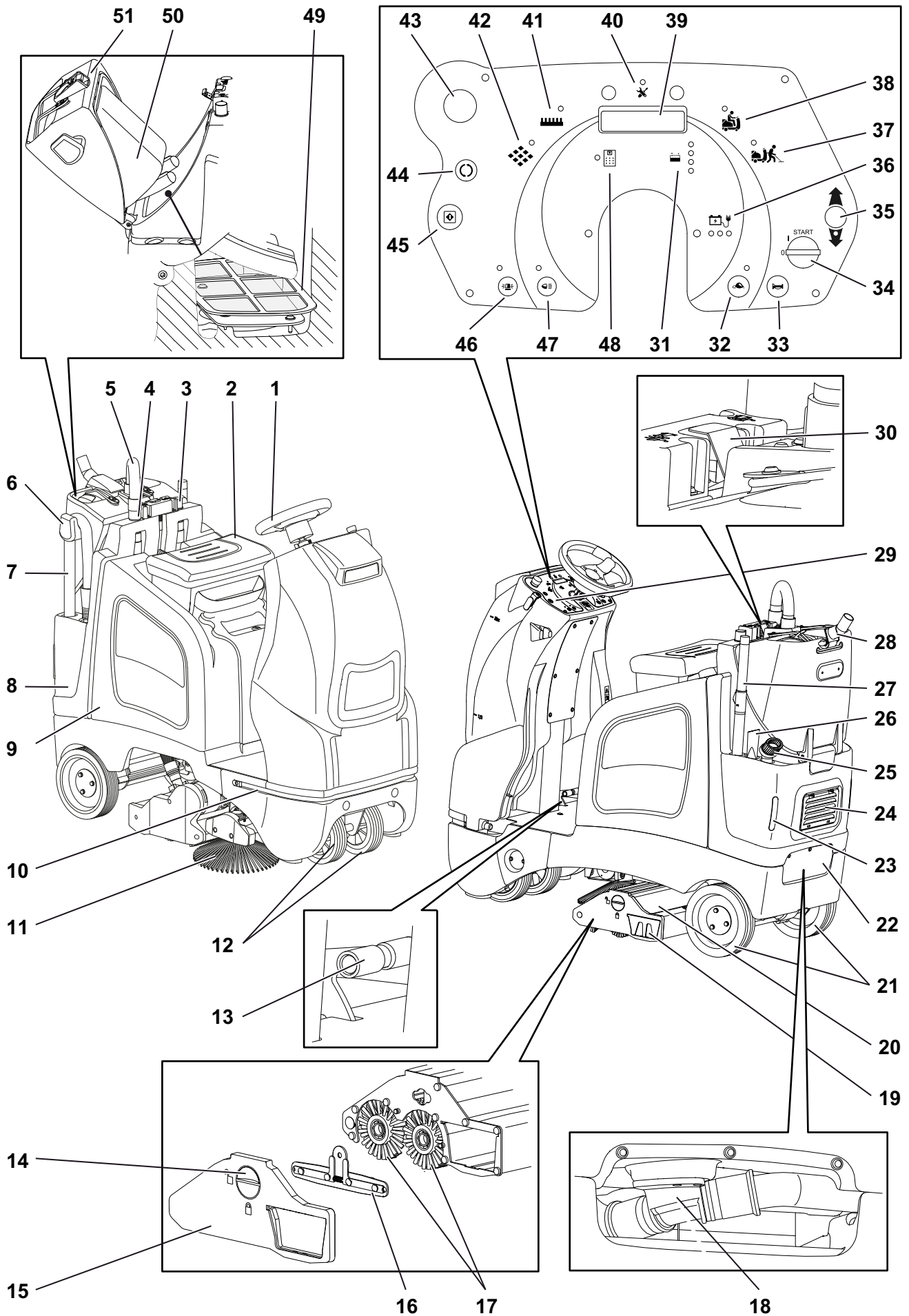
- Contacte con el servicio de atención al cliente para más información.

INDICACIÓN

Estas instrucciones de uso así como todas las instrucciones de uso para máquinas TASKI están disponibles en el siguiente sitio web:

www.taski.com

Vista general de la estructura



- 1 Volante
- 2 Asiento del conductor con palanca (control de presencia)
- 3 Modo automático de la conexión del orificio de la manguera de succión
- 4 Modo manual de la conexión del orificio de la manguera de succión
- 5 Orificio de la manguera de succión (modo de trabajo: automático y manual)
- 6 Enganche para swingo del orificio de la manguera de succión
- 7 Modo manual del orificio de la manguera de succión
- 8 Tanque
- 9 Compartimento de la batería
- 10 Luz de trabajo LED
- 11 Cepillos laterales
- 12 Ruedas giratorias
- 13 Acelerador
- 14 Dispositivo de cierre de la cubierta
- 15 Cubierta del módulo de los cepillos
- 16 Soporte del cepillo
- 17 Cepillo cilíndrico
- 18 Codo del orificio de la manguera de succión
- 19 Tamiz de la suciedad
- 20 Módulo de los cepillos
- 21 Ruedas de tracción
- 22 Cubierta del codo del orificio de la manguera de succión
- 23 LED trasero y delantero
- 24 Filtro (HEPA opcional)
- 25 Boquilla para polvo
- 26 Boquilla para rincones
- 27 Tubo telescópico
- 28 Tobera
- 29 Panel de control
- 30 Cierre de la tapa del depósito
- 31 Indicador del estado de la batería
- 32 Llave de seguridad de conducción lenta (ENCENDIDO / APAGADO)
- 33 Bocina
- 34 Llave de contacto
- 35 Tecla marcha atrás
- 36 Indicador de estado de carga de la batería
- 37 Indicador del modo manual
- 38 Indicador del modo automático
- 39 Pantalla
- 40 Indicador de servicio
- 41 Indicador de posición de alfombra del módulo de los cepillos
- 42 Indicador de posición de suelo duro del módulo de los cepillos
- 43 Parada de emergencia
- 44 Llave de posición alfombra o suelo duro
- 45 Tecla del programa (ENCENDIDO / APAGADO)
- 46 Tecla de indicador luminoso LED (ENCENDIDO / APAGADO)
- 47 Tecla de luz de trabajo LED (ENCENDIDO / APAGADO)
- 48 Indicador de bolsa para el polvo
- 49 Filtro de tela
- 50 Bolsa de fieltro desechable para el polvo
- 51 Tapa del tanque

Baterías

Baterías permitidas

Para la operación de esta máquina son necesarias baterías de tracción (no baterías húmedas, de arranque o pilas) Se recomiendan baterías de tracción limpias. Solo esto garantiza una larga vida útil.

Las baterías de tracción se producen como baterías VRLA cerradas y sin necesidad de mantenimiento (Gel, AGM, PureLead, Lithium). La máquina debe ajustarse según cada tipo de construcción y de fabricante.

Cada batería ofrece una vida útil diferente y diferentes características de potencia.

La programación de la máquina y de los cargadores debe realizarse después de instalar las baterías o con el cambio del tipo de batería y/o dependiendo del fabricante y antes de la puesta en marcha.

Un ajuste erróneo puede provocar una avería prematura de las baterías.

INDICACIÓN

No deben introducirse baterías diferentes, defectuosas ni mezclar baterías nuevas con viejas.

INDICACIÓN

Las baterías viejas o defectuosas se deben desecher según la normativa vigente. Consulte la información en la página 27

Medidas de seguridad en el manejo de baterías



Las baterías contienen ácidos. Para el mantenimiento, el montaje y el desmontaje del conjunto de baterías de ácido, se deben llevar gafas de protección.



En caso de salpicaduras de ácido en los ojos o en la piel, enjuague o lave con agua limpia. Acuda inmediatamente a un médico. Enjuague la ropa con agua.



Durante la carga de las baterías se genera una mezcla de gases peligrosa. Mantener alejado del fuego abierto o de objetos ardientes.



¡No fumar!



¡Peligro de corrosión!



¡Precaución! Los polos de las baterías están siempre bajo tensión, por eso no se pueden colocar objetos sobre la batería.

ATENCIÓN:

Mantenga las baterías limpias y secas. Limpie inmediatamente los ácidos o agua que se hayan escapado.

- Para ello, lleve guantes de protección.

⚠ ATENCIÓN:

Las baterías deben ser montadas únicamente por servicios de atención al cliente permitidos por Di-versey y deben instalarse según el esquema de conexión.

Los errores durante el montaje o la conexión pueden provocar graves lesiones, una explosión y grandes daños a la máquina y al entorno.

⚠ ATENCIÓN:

Durante la carga de la batería, se debe garantizar suficiente ventilación.

i INDICACIÓN

Preste también atención la hoja de datos de seguridad del fabricante de la batería.

i INDICACIÓN

Preste también atención a las normas operativas del fabricante de la batería.

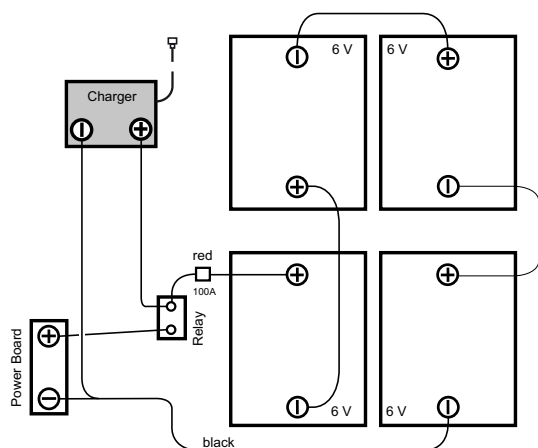
⚠ ATENCIÓN:

Durante el mantenimiento de las baterías, estas deben ser extraídas de la máquina.

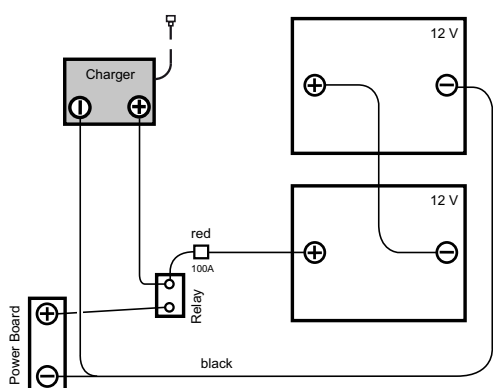
Esquema de conexión de la batería

AERO 3500µmicro (Gel)

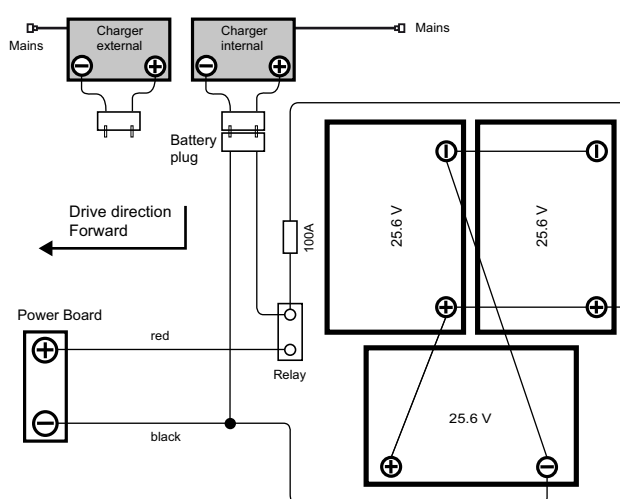
Baterías de 6V



Baterías de 12V



AERO 3500µmicro (Lithium)



Carga

⚠ ATENCIÓN:

Observe las instrucciones de uso del fabricante del cargador de batería externo.

⚠ ATENCIÓN:

Cada tipo de batería y/o fabricante de la batería exige diferentes procesos de carga.

Un proceso de carga incorrecto o el uso de un cargador inadecuado conlleva una avería prematura o una destrucción rápida de la batería.

i INDICACIÓN

Los cargadores Onboard que se pueden adquirir de manera opcional se adaptan al tamaño de la batería y disponen de varias curvas de carga, que vienen ajustadas de fábrica o se deben ajustar por técnicos de servicio de TASKI para las baterías recomendadas. Esta norma es válida incluso para el uso de cargadores (externos) fijos.

⚠ ATENCIÓN:

Los usos breves y continuos con la correspondiente recarga a posteriori pueden perjudicar la batería.

- Valor orientativo: antes de una recarga se debe realizar una mínima absorción de aproximadamente el 20 % de la capacidad disponible.

⚠ ATENCIÓN:

Para alcanzar la máxima vida útil posible se debe iniciar un ciclo completo de carga para las baterías de tracción 2 veces a la semana (12-16 horas).

⚠ ATENCIÓN:

Antes de una parada larga de la máquina, las baterías deben someterse a un ciclo de carga completo. A continuación se desconecta el cargador de la máquina o de la red. Las baterías se descargan con el tiempo. En función del tipo, deberán volver a cargarse tras 3-6 meses.

- Antes de la siguiente puesta en funcionamiento, las baterías deben realizar de nuevo un ciclo de carga completo.

Proceso de carga con cargador externo

i INDICACIÓN

Únicamente pueden utilizarse cargadores recomendados por el fabricante de la batería y que dispongan de la certificación de SELV (tensión baja de seguridad).

STOP PELIGRO:

No conecte el cargador sometido a tensión (es decir, conectado) a la máquina.

En caso de hacerlo, el usuario podría sufrir lesiones debido a una descarga eléctrica.

⚠ ADVERTENCIA:

Los cables de carga transfieren alta tensión. En caso de aparición de daños en el enchufe, el cable o la conexión del dispositivo, no se debe usar el cargador.

- Conecte el cargador de batería externo con el conector del cargador de la máquina.

i INDICACIÓN

Preste atención a que el enchufe esté insertado hasta el final para garantizar un buen contacto eléctrico.

i INDICACIÓN

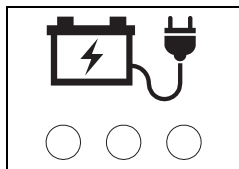
Compruebe si el cargador conectado ha iniciado un proceso de carga.

i INDICACIÓN

Durante un proceso de carga se deben desactivar todas las funciones de la máquina.

Proceso de carga con cargador Onboard (opcional)

- La máquina debe estar desconectada.
- Una el cable de red con un enchufe (seguro lento).



- El indicador amarillo se ilumina hasta que se alcance el 90% de capacidad de la batería. Después de eso, el indicador parpadea hasta que la batería esté completamente cargada.
- Cuando finalice la carga, se enciende el indicador verde.

Tras el cierre del proceso de carga

⚠ ADVERTENCIA:

Apague el cargador antes de cortar la conexión con las baterías.

El corte del cargador encendido puede producir una explosión en el compartimento de las baterías.

- Coloque el cable de red en cargadores Onboard (opcional) en la zona prevista.
- Mantenga el cable de carga seco y protegido contra daños.

Mantenimiento y cuidado de baterías abiertas

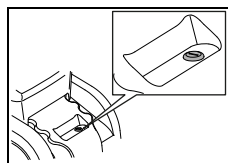
i INDICACIÓN

El cuidado de baterías sin mantenimiento se limita al correcto cumplimiento del proceso de carga correcto y la curva de carga correctamente ajustada.

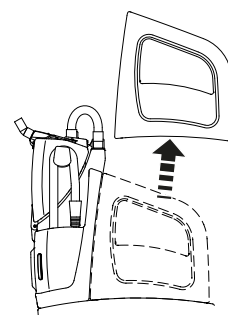
Abrir compartimento de batería para mantenimiento

- La máquina debe estar desconectada.
- Saque el asiento del conductor de la cubierta del asiento y déjelo en el suelo.

De este modo evita que las personas se lesionen por la caída del asiento del conductor.



- Cierre el compartimento de la batería con la llave suministrada.



- Saque la cubierta del asiento y déjela sobre el suelo con cuidado.

La batería puede conservarse de acuerdo con las indicaciones del fabricante.

Antes de la puesta en marcha

Freno de estacionamiento

- El freno de estacionamiento se desatranca automáticamente apretando el pedal por el sistema electrónico.

i INDICACIÓN

Si la máquina se encuentra parada, el freno de estacionamiento debe estar siempre activado.

Tanto con la máquina encendida como apagada.

Desbloqueo:

i INDICACIÓN

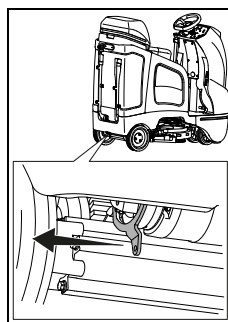
El asiento del conductor está equipado con un interruptor del asiento (reconocimiento de presencia). Este interruptor del asiento se activa cuando el asiento del conductor está ocupado por los operadores.

El interruptor de asiento confirmado puede poner en funcionamiento la máquina.

Desbloqueo de emergencia:

i INDICACIÓN

En caso de fallo del control o de la alimentación de tensión, se puede desbloquear el freno de estacionamiento manualmente.



- Para ello, se debe accionar la palanca de desbloqueo permanentemente. Ésta se encuentra en la rueda trasera izquierda.

Comprobación de la parada de emergencia

⚠️ ATENCIÓN:

La llave de parada de emergencia es un elemento de seguridad importante.

- Su función debe comprobarse con regularidad en intervalos cortos antes de utilizar la máquina.
- Conecte la máquina.
- Presione el pedal/interruptor del acelerador mientras mantiene la empuñadura recta. La máquina se pone en funcionamiento en línea recta.
- Apriete el botón de parada de emergencia.

i INDICACIÓN

La máquina debe frenarse por completo de forma abrupta y desplazarse hacia delante sin ninguna corrección en la dirección.

STOP PELIGRO:

Cuando no se da una de estas funciones, la máquina debe apagarse hasta una reparación especializada mediante el servicio técnico autorizado de TASKI.

Dispositivos de advertencia

⚠️ ADVERTENCIA:

Debe comprobarse el funcionamiento de los dispositivos de advertencia como los indicadores de luz, las luces parpadeantes y las señales acústicas en marcha atrás. Los fallos de funcionamiento deben repararse de inmediato.

El funcionamiento de la máquina con dispositivos de advertencia defectuosos o con errores exige un mayor cuidado y atención.

- ¡Los dispositivos de advertencia no se deben tapar!

⚠️ ADVERTENCIA:

Los reglamentos nacionales siempre se anteponen.

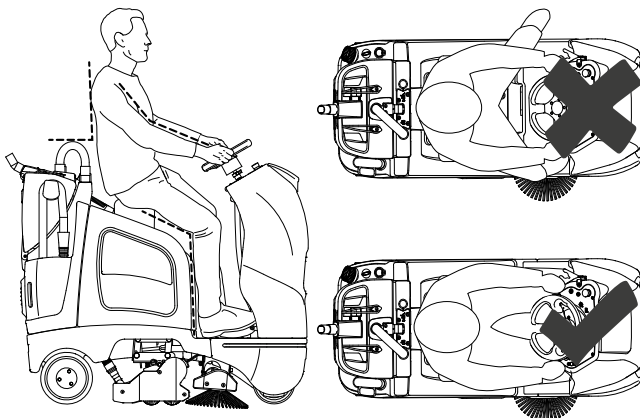
- Estos pueden exigir otros comportamientos y deben cumplirse sin falta.

Ajustar posición de asiento

i INDICACIÓN

El asiento del conductor y el volante pueden ajustarse para conseguir una posición de asiento adecuada.

Posición de sentado recomendada

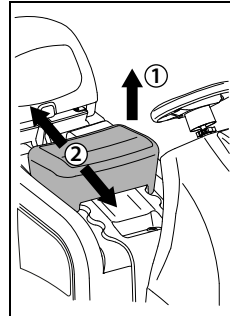


⚠️ ADVERTENCIA:

Mantenga la posición de sentado adecuada. Las piernas no deben sobresalir los laterales de la máquina.

Si lo hiciesen, podrían sufrir daños en recorridos estrechos como también en objetos fijos (p.ej. barandilla, postes, etc) en el ambiente de limpieza.

Ajuste el asiento del conductor

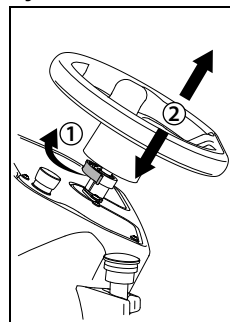


- La posición del asiento del conductor puede ajustarse [1] y ajustarse el cierre [...]

i INDICACIÓN

Preste atención que el asiento del conductor se encuentra correctamente posicionado en las ranuras designadas.

Ajustar volante



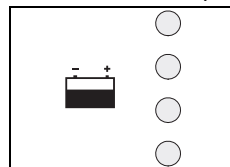
- Desatranque el dispositivo de bloqueo [1], ajuste el volante [2] en la posición deseada y vuelva a cerrar el dispositivo de bloqueo.

Dirección de desplazamiento

La dirección de avance se controla con el volante y la velocidad con el pedal del acelerador. La velocidad se regula sin niveles. Al soltar el controlador, la máquina se frena automáticamente hasta pararse y se activa el freno de estacionamiento.

Avance

- Conecte la máquina (interruptor de llave).



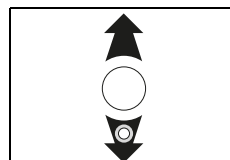
- Ilumine todos los elementos de indicación.
El indicador de la batería le muestra la disponibilidad de servicio de la máquina. (en caso de avería, ver página 26).

- Para el avance, debe pisarse solo el pedal del acelerador.

⚠️ ATENCIÓN:

Durante la conducción en curvas se reduce la velocidad electrónicamente.

Marcha atrás



- Al pulsar esta tecla, la tecla marcha atrás ilumina la parte inferior de la pantalla y se emite un tono de aviso.

Desplace la máquina (en caso de fallo)

i INDICACIÓN

El desplazamiento de la máquina debe realizarse generalmente entre dos personas.

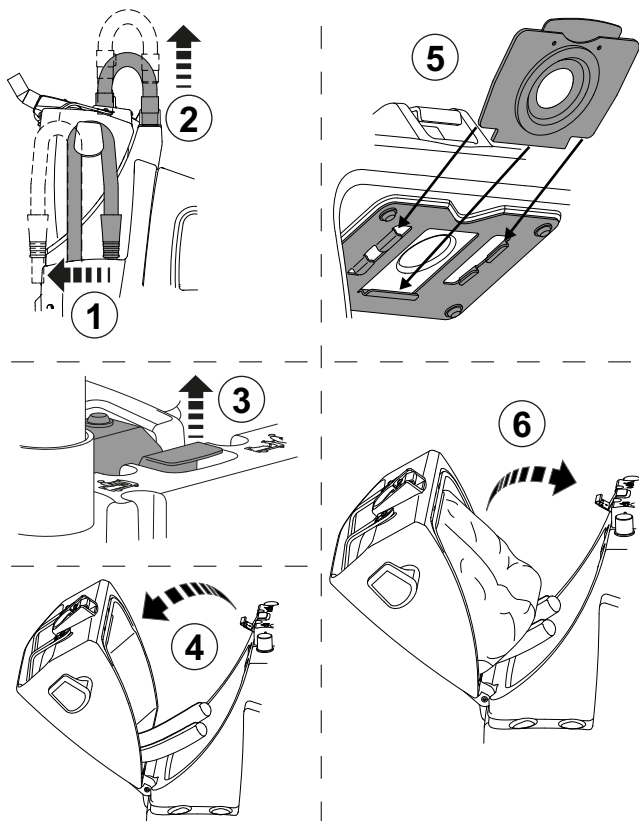
! ADVERTENCIA:

El desplazamiento manual de la máquina es una actividad de riesgo debido a su alto peso.

Pueden producirse daños en la máquina y personales debido a pasos en falso.

- El desplazamiento solo es posible con el botón de desbloqueo activado. (Véase página 20)

Colocar la bolsa para el polvo



i INDICACIÓN

Nunca utilice la máquina sin la bolsa de fieltro desechable para el polvo

Colocar el cepillo cilíndrico

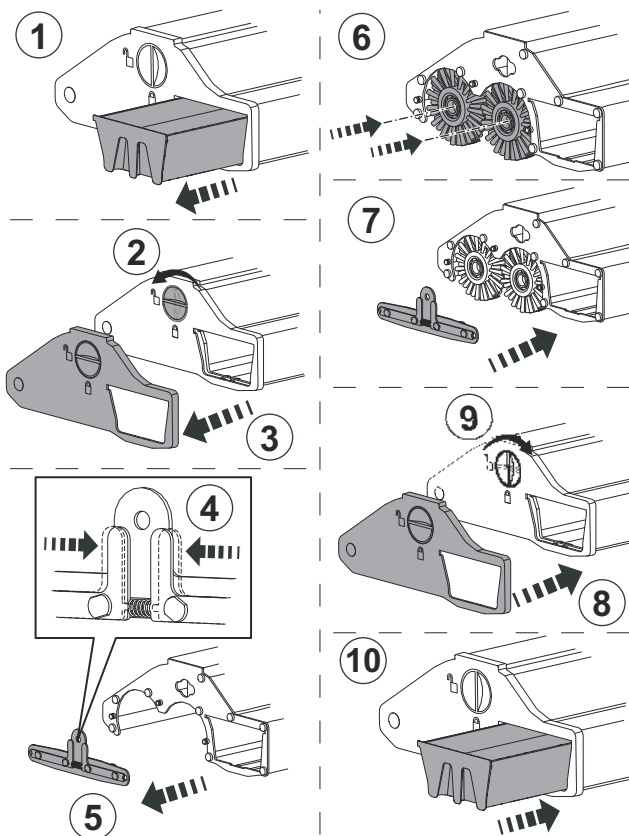
Compruebe antes de poner en funcionamiento:

- que el cepillo no esté por debajo de la marca roja/amarilla o que la longitud de las cerdas sea inferior a 1,4 cm.

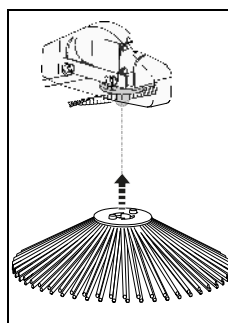
! ATENCIÓN:

No use cepillos donde se haya alcanzado el límite de desgaste. Utilice solo herramientas originales de TASKI.

El incumplimiento puede producir resultados de limpieza insatisfactorios e incluso daños en el piso.



Colocar los cepillos laterales



- Empuje los cepillos laterales hacia arriba en el alojamiento previsto para ello.
- Enrosque los cepillos laterales en el sentido de las agujas del reloj hasta que los botones encajen en los agujeros del alojamiento.

i INDICACIÓN

Cuando vea que ya no puede enroscar más los cepillos laterales, es que ya están colocados correctamente.

Tecnología de aplicación

Máquina	
Limpieza en mojado	No
Limpieza de base	No
Champumizar	No
Champú seco	No
Limpieza en seco (alfombra y suelos duros)	Sí

Comienzo del trabajo

⚠ ATENCIÓN:

Durante la operación con esta máquina, es obligatorio el uso de zapatos de seguridad y ropa de trabajo adecuada.

⚠ ATENCIÓN:

Durante el funcionamiento de la máquina, coloque ambas manos en el volante/manillar, para asegurar un correcto agarre.

⚠ ATENCIÓN:

Trate de familiarizarse primero con la máquina empezando con unas primeras pruebas de conducción en un espacio libre.

⚠ ADVERTENCIA:

Antes del comienzo del trabajo (en posición de trabajo), compruebe que el campo de visión sea suficiente para asegurar un trabajo seguro. Debe cumplirse la normativa EN 3411.

Un campo de visión insuficiente puede dificultar el trabajo y, por lo tanto, disminuir la seguridad del usuario, de la máquina y de terceros.

⚠ ADVERTENCIA:

Durante el funcionamiento, cumpla la altura de paso máxima en las puertas y pasos subterráneos que se señala en el letrero de aviso de la máquina.

STOP PELIGRO:

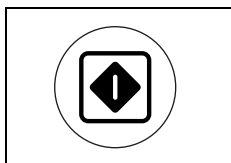
En caso de que durante el uso de la máquina exista peligro de caída de objetos, hay que tomar o mantener las medidas de protección de conformidad con las directrices nacionales.

i INDICACIÓN

Durante el funcionamiento en edificios públicos, debe encenderse la luz de aviso.

- Siéntese sobre el asiento del conductor.
- Controle si la tecla de parada de emergencia se encuentra desbloqueada.
- Conecte la máquina (interruptor de llave).
Ilumine los elementos de indicación.

Iniciar con la tecla del programa



- Al pulsar la tecla del programa en el siguiente inicio de trabajo o sector de trabajo se inician todas las funciones de la máquina con los últimos valores de función utilizados.

i INDICACIÓN

Los valores programados pueden ser ajustados en cualquier momento del proceso de trabajo.

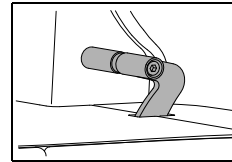
Los valores programados para la desconexión se guardan y se vuelven a activar automáticamente cuando se encienda la máquina.

i INDICACIÓN

Al pulsar la tecla del programa al fin de la operación, se inicia un programa óptimo para el fin de la operación. Consulte la descripción en la página 24 debajo de (Proceso automático).

Se guardan los ajustes y las funciones activadas.

Inicio de la limpieza



- Con la máquina conectada y un operario sentado en el asiento del conductor, la máquina se pone en movimiento al pisar el pedal del acelerador. Arranca el módulo de cepillos y los cepillos laterales.

i INDICACIÓN

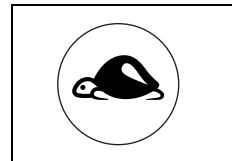
La velocidad de avance se controla a través de la posición del pedal del acelerador. Al soltar el pedal del acelerador, la máquina se frena automáticamente hasta pararse y se activa el pedal de estacionamiento.

Se detiene el módulo de cepillos y los cepillos laterales.

⚠ ATENCIÓN:

Para los trabajos en zonas altas o estrechas, se recomienda pulsar la tecla de movimiento lento ENCENDIDO/APAGADO. (Aviso iluminado)

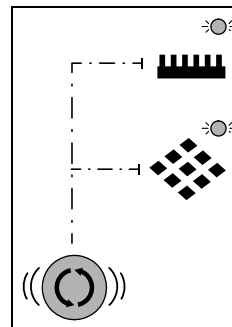
De este modo se reduce la velocidad de trabajo máxima y se minimiza el peligro de accidente.



- Al volver a pulsar la llave se anula la limitación, se apaga el indicador.

Colocar el módulo de cepillos

El módulo de cepillos se puede colocar de forma individual para dos suelos diferentes.



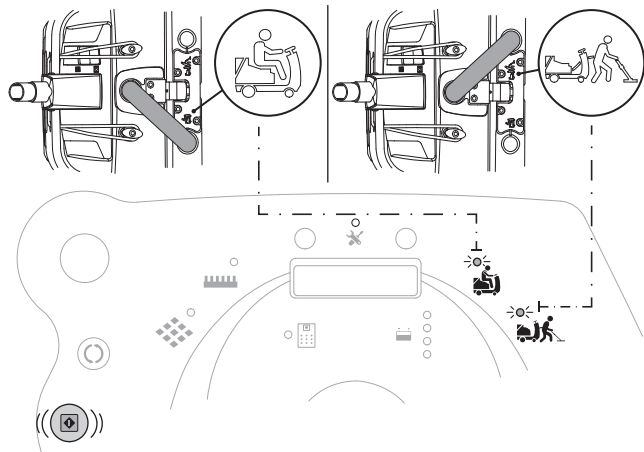
- Para su colocación, pulse la tecla en la posición Alfombra/Suelo duro.
En el panel de control se muestra la selección realizada.

Modos de operación

Esta máquina presenta dos modos de operación diferentes. Un modo automático y un modo manual.

Modo automático

Modo manual



i INDICACIÓN

En ciertas condiciones y en caso de una combinación especial del revestimiento del suelo/suciedad y el producto de limpieza, se puede ver influenciada negativamente la conducción de la máquina.

- Con las ruedas opcionales, la tracción al suelo de la máquina puede mejorarse. Póngase en contacto con su asesor de atención al cliente de TASKI.

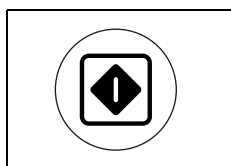
Capacidad de la batería - Fin de la disponibilidad de servicio

El indicador de la batería da información sobre la vida útil disponible.

- Si el indicador rojo empieza a parpadear, quedan todavía cerca de 5 minutos para los trabajos restantes.
- A continuación, se suben el módulo de cepillos y los cepillos laterales. La pantalla roja cambia a luz continua.
- Entonces quedan 10 minutos para llevar la máquina a la estación de carga. Luego la máquina se desconecta automáticamente.
- Las baterías deben cargarse completamente para una nueva puesta en marcha.

Fin de la operación

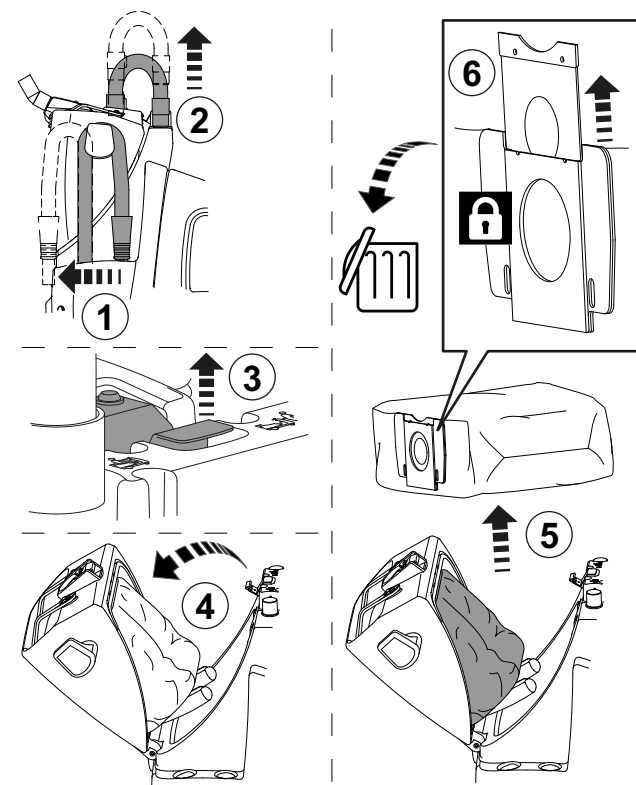
Proceso automático



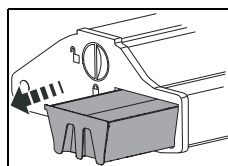
- Pulse la tecla del programa ENCENDIDO/APAGADO.

- Se para el motor de aspiración.
- Se paran y se alzan el módulo de cepillos y los cepillos laterales

Cambiar la bolsa para el polvo

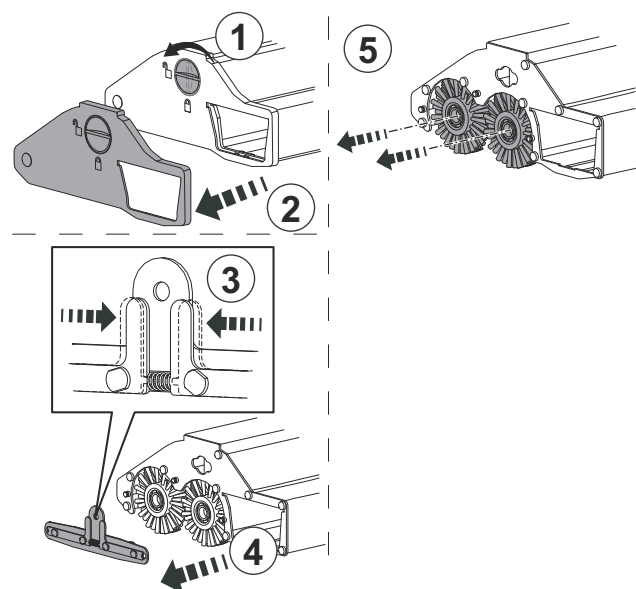


Extracción y limpieza del tamiz de la suciedad



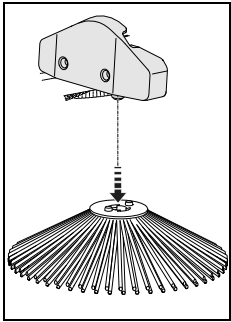
- Vacíe el tamiz de la suciedad y limpie los restos de polvo con una aspiradora.

Extracción y limpieza de los cepillos cilíndricos



- Saque los pelos enrollados o similares de los cepillos y limpie los restos de polvo con una aspiradora.

Extracción y limpieza de los cepillos laterales



- Saque los pelos enrollados o similares de los cepillos laterales y limpie los restos de polvo con una aspiradora.

Limpie la máquina

⚠ ATENCIÓN:

Nunca limpie la máquina con un limpiador de aire comprimido o con un chorro de agua.

El agua que penetra en la máquina puede producir daños considerables en las piezas mecánicas o eléctricas.

- Limpie la máquina con un trapo húmedo.

Almacenamiento/estacionamiento de la máquina (no operativa)

i INDICACIÓN

Almacene la máquina con el módulo de cepillos quitado y desmonte los cepillos.

⚠ ATENCIÓN:

Nunca almacene la máquina con baterías descargadas.

Las baterías pueden provocar daños irreparables.

Servicio, mantenimiento y cuidado

El mantenimiento de la máquina es una condición para el funcionamiento sin problemas y la larga vida útil.

⚠ ATENCIÓN:

Deben usarse solo piezas originales de TASKI, si no se pierde cualquier derecho de garantía y responsabilidad.

i INDICACIÓN

Para excluir las funciones involuntarias de la máquina, siempre debe desde el inicio de los trabajos de mantenimiento

- apagar la máquina
- retirar las llaves y
- confirmar parada de emergencia.

Explicación de los símbolos:

◇ = para cada fin de limpieza, ◇◇ = cada semana, ◇◇◇ = cada mes, ⊗ = luz de servicio

Actividad	◇	◇◇	◇◇◇	⊗	Página
Cargar baterías	•				20
Limpiar todas las partes marcadas en amarillo	•				
Limpiar los cepillos cilíndricos	•				24

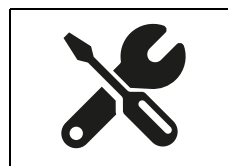
Explicación de los símbolos:

◇ = para cada fin de limpieza, ◇◇ = cada semana, ◇◇◇ = cada mes, ⊗ = luz de servicio

Actividad	◇	◇◇	◇◇◇	⊗	Página
Limpiar los cepillos laterales	•				25
Comprobar/cambiar la bolsa para el polvo	•				24
Comprobar/cambiar el filtro de tela	•				17
Comprobar/cambiar el filtro de salida		•			17
Comprobar/cambiar el filtro HEPA		•			17
Limpiar la máquina con un trapo húmedo	•				25
Comprobar el botón de parada de emergencia				•	20
Programa de mantenimiento/servicio realizado por el técnico de servicio de Diversey				•	

Intervalos de mantenimiento

Las máquinas TASKI son máquinas de alta calidad, cuya seguridad ha sido verificada por inspectores autorizados en fábrica. Los componentes eléctricos y mecánicos se ven sometidos tras un uso prolongado al desgaste y al envejecimiento.



- Para mantener la seguridad en el funcionamiento y la disponibilidad, se debe realizar un servicio de mantenimiento cuando se encienda la luz del indicador de servicio (ajuste de fábrica 650 horas de trabajo) o al menos una vez al año.

i INDICACIÓN

En caso de requisitos extraordinarios y/o un mantenimiento insuficiente deben acortarse los intervalos.

Servicio de atención al cliente

En caso de ponerse en contacto con nosotros por una avería o para realizar un pedido, facilítenos primero la denominación del modelo y el número de la máquina.

Estas indicaciones se encuentran en la placa de características de la máquina. En la última página de estas instrucciones de uso encontrará la dirección de su servicio oficial TASKI.

Averías

Avería	Posible causa	Solución de la avería	Página
Una máquina sin función no puede ponerse en marcha	Máquina desconectada	• Gire la llave	17
	Pulse el botón de parada de emergencia	• Desbloquee el interruptor de parada de emergencia.	17
	Código de error en la pantalla	• Contacte con el servicio oficial	27
	Active el inmovilizador o el fallo en el control	• Siéntese sobre el asiento del conductor	
	Baterías descargadas o aparato de carga de baterías defectuoso	• Cargue las baterías • Contacte con el servicio oficial	20
	Baterías defectuosas	• Contacte con el servicio oficial	
El cepillo no gira	Transmisión del cepillo desconectada	• Pulse la tecla de programa	17
	El motor gira; la herramienta no	• Correas de accionamiento defectuosas • Controle si la herramienta está embragada • Contacte con el servicio oficial	
Mala capacidad de aspiración	Orificio de la manguera de succión no conectado correctamente	• Conecte el orificio de la manguera de succión	24
	Orificio de la manguera de succión obstruido	• Limpiar el orificio de la manguera de succión	17
El módulo de los cepillos o la unidad de aspiración no se puede desconectar	Error en el sistema electrónico o el panel de control	• Interrumpa la máquina con la parada de emergencia • Contacte con el servicio oficial	17

Información técnica

Máquina		
Ancho de trabajo	65	cm
Ancho del cilindro	51	cm
Dimensiones (L x An x Al)	135 x 58 x 128	cm
Peso de la máquina máximo para el funcionamiento	380	kg
Tensión nominal	24 V	DC
Potencia nominal	1300	W
Volumen útil	15	l

Valor calculado de acuerdo con IEC 60335-2-72		
Nivel de intensidad acústica en LpA	<70	dB(A)
Incertidumbre KpA	2.5	dB(A)
Valor total de la vibración	<2.5	m/s ²
Incertidumbre K	0,25	m/s ²
Protección contra salpicaduras	IPX3	
Clase de protección	III	

Accesorio

N.º	Artículo
7524872	Bolsa de filtro desechable para el polvo AERO 3500 (10 por paquete)
7524873	Filtro HEPA H13 AERO 3500
7524874	Apoyo MopBox AERO 3500
7524875	Portaherramientas AERO 3500
7524877	Kit de cepillos cilíndricos AERO 3500
7524878	Cepillos laterales AERO 3500
7524879	Filtro de tela AERO 3500 (5 por paquete)
7524880	Filtro de salida AERO 3500 (5 por paquete)

Códigos de error

Los códigos de error se muestran en la pantalla.

i INDICACIÓN

Si se muestra un código de error, apague y encienda la máquina

Al encender y apagar la máquina, pueden eliminarse códigos de error.

Transporte

⚠ ADVERTENCIA:

Esta máquina solo se eleva con materiales auxiliares (p. ej. plataforma elevadora, rampas, etc.).

⚠ ATENCIÓN:

El enchufe de desconexión de la batería tiene que retirarse para el transporte.

i INDICACIÓN

Transporte la máquina de pie.

i INDICACIÓN

Asegúrese de que la máquina esté correctamente sujeta y asegurada al vehículo de transporte.

Eliminación

i INDICACIÓN

La máquina y los accesorios deben desecharse de forma profesional según las normativas nacionales.

- Su servicio técnico Diversey puede ayudarle.

Baterías

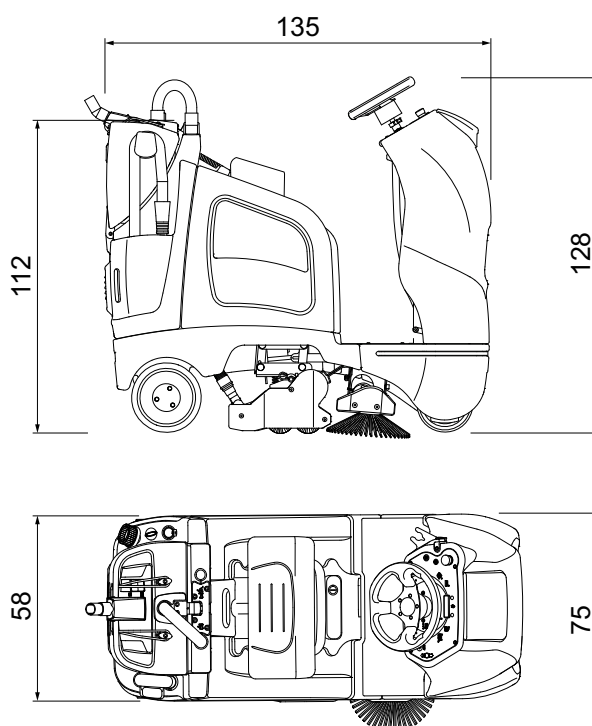
⚠ ADVERTENCIA:

Las baterías deben sacarse de la máquina antes de que se realice una eliminación profesional.

Las baterías usadas se deben eliminar siguiendo las directivas de la UE 2006/66/CE o las correspondientes normativas nacionales según la protección del medio ambiente.

Dimensiones de la máquina

¡Las dimensiones se dan en centímetros!



FR Traduction des instructions d'utilisation originales



Avant la première mise en service, lisez impérativement les instructions d'utilisation et de sécurité. Conservez soigneusement les instructions d'utilisation à portée de main afin de pouvoir les consulter à tout moment.

Légende

Danger:

Ce symbole indique des informations importantes. Le non-respect de ces remarques peut entraîner un danger pour les personnes et / ou des dommages matériels importants !

Avertissement:

Ce symbole indique des informations importantes. Le non-respect de ces remarques peut entraîner un danger pour les personnes et / ou des dommages matériels importants !

Attention:

Ce symbole indique des informations importantes. Le non-respect de ces remarques peut entraîner des défauts et des dommages matériels !

Remarque:

Ce symbole indique des informations importantes en lien avec l'utilisation efficace du produit. Le non-respect de ces remarques peut entraîner des défauts !

Table des matières

Instructions de sécurité	28
Produits de nettoyage	29
Documents détaillés	29
Vue d'ensemble	30
Batteries	31
Avant la mise en service	33
Démarrer les opérations	36
Fin des opérations	37
Service, maintenance et entretien	38
Défauts	39
Données techniques	39
Accessoires	40
Codes d'erreur	40
Transport	40
Mise au rebut	40
Dimensions de la machine	41

Usage normal de la machine

Les machines sont conçues pour une utilisation industrielle (par ex. dans des hôtels, écoles, hôpitaux, usines, centres commerciaux, gymnases, bureaux, etc.).

Les techniques d'application indiquées à la page 36 sont valables pour les modèles individuels dans le strict respect des présentes instructions d'utilisation.

Danger:

Si la machine subit des changements non autorisés par Diversey, les signaux de sécurité et le marquage CE seront invalides. Une utilisation de la machine contraire à l'usage normal de la machine peut entraîner des blessures et des dommages de la machine et de l'environnement de travail. De manière générale, cela entraîne dans ce cas l'annulation de toute garantie et droits éventuels de réclamation.

Avertissement:

Cette machine est exclusivement conçue pour le nettoyage à sec.

Attention:

Cette machine est exclusivement conçue pour une utilisation à l'intérieur.

Instructions de sécurité

Par leur conception et construction, les machines TASKI sont conformes aux exigences fondamentales de sécurité et de santé en vigueur des directives CE et sont donc pourvues du marquage CE.

Danger:

La machine doit uniquement être utilisée par des personnes correctement formées à son utilisation ou ayant prouvé leur capacité à l'utiliser et étant explicitement chargées de son utilisation.

Danger:

La machine ne doit pas être utilisée par des personnes, y compris des enfants, avec des capacités physiques, sensorielles ou mentales réduites ou qui n'ont pas l'expérience et les connaissances nécessaires.

Surveiller les enfants et veiller à ce qu'ils ne jouent pas avec la machine.

Danger:

La machine ne doit pas être utilisée dans des pièces dans lesquelles des substances à risque d'explosion ou facilement inflammables (par ex. essence, solvants, huile de chauffage, poussières, etc.) sont entreposées ou utilisées.

Les composants électriques ou mécaniques pourraient entraîner l'inflammation de ces substances.

Danger:

La machine ne doit pas être utilisée pour l'aspiration de substances toxiques, dangereuses pour la santé, caustiques et irritantes (par ex. poussière dangereuse, etc.) ou de liquides inflammables. Le système de filtration ne retient pas suffisamment les substances de ce type.

Il n'est alors pas possible d'exclure d'éventuels troubles médicaux pour l'utilisateur et les tiers.

Danger:

Faites attention à la situation locale ainsi qu'aux tiers et aux enfants ! Vous devez en particulier ralentir la vitesse à proximité d'emplacements difficilement visibles tels que devant des portes ou des courbes.

STOP Danger:

Cette machine ne doit pas servir au transport de personnes ou d'objets.

STOP Danger:

Dans le cas d'une erreur de fonctionnement, d'un défaut et après une collision ou une chute, la machine doit être examinée par un technicien compétent avant la prochaine utilisation. Cela vaut également si la machine a été laissée à l'extérieur, plongée dans l'eau ou exposée à l'humidité.

STOP Danger:

En cas de dommages de pièces liées à la sécurité comme le capot de brosse, le cordon d'alimentation principale ou les couvercles de protection menant aux pièces transportant le courant, arrêter la machine immédiatement !

STOP Danger:

La machine ne doit pas être stationnée, garée ou stockée en pente.

STOP Danger:

Pour tous les travaux sur la machine, celle-ci doit être coupée et la clé retirée.

STOP Danger:

La machine peut être utilisée sur des pentes <2% en mode nettoyage.

STOP Danger:

La machine peut être utilisée sur des pentes <10%. Les pentes doivent être parcourues en conduisant lentement et en utilisant le mode « tortue » afin d'assurer un arrêt de sécurité.

Si vous prenez un virage serré dans les pentes, cela peut affecter la stabilité de la machine et est donc interdit. Risque d'accident.

STOP Danger:

La machine ne doit être utilisée que sur un sol solide, stable et suffisamment porteur.

Il existe un risque d'accident en cas de non respect.

⚠ Avertissement:

La machine doit uniquement être utilisée et entreposée dans un environnement sec, à faible teneur en poussière, à des températures comprises entre +10 °C / +50 °F et +35 °C / +95 °F.

⚠ Avertissement:

Les travaux de réparation sur des pièces mécaniques ou électriques de la machine ne doivent être effectués que par des techniciens compétents habitués à toutes les consignes de sécurité pertinentes.

⚠ Avertissement:

N'utilisez que des outils (brosses, pads ou autres) définis dans les présentes instructions d'utilisation parmi les accessoires ou recommandés par le conseiller TASKI. Les autres brosses sont susceptibles de gêner la sécurité et les fonctions de la machine.

⚠ Avertissement:

Respectez systématiquement les prescriptions nationales concernant la protection des personnes et la prévention des accidents ainsi que les indications du fabricant concernant l'utilisation de produits nettoyants.

⚠ Attention:

Cette machine doit uniquement être utilisée avec des batteries appropriées et des chargeurs contrôlés.

⚠ Attention:

La machine doit être protégée contre toute utilisation non autorisée. Par conséquent, toujours retirer la clé avant de vous éloigner de la machine ou la conserver dans une pièce fermée.

i Remarque:

Les machines et appareils TASKI sont construits de telle façon que, par l'état actuelle des connaissances scientifiques, les dangers sanitaires provenant des émissions de bruit ou de vibrations sont écartés.

Consulter les données techniques à la page 39.

Produits de nettoyage

i Remarque:

Les machines TASKI sont construites de manière à fournir les meilleurs résultats possibles avec les produits de nettoyage TASKI. Utiliser d'autres produits de nettoyage peut entraîner un fonctionnement défectueux ou des dommages sur la machine ou l'environnement de travail. Nous vous recommandons ainsi de n'utiliser que des produits de nettoyage TASKI.

Les défauts résultants de l'utilisation de mauvais produits de nettoyage ne sont pas couverts par la garantie.

- Pour plus d'informations, veuillez vous adresser à votre partenaire de service TASKI.

Documents détaillés

i Remarque:

Le schéma électrique correspondant à cette machine est fourni dans la liste des pièces détachées.

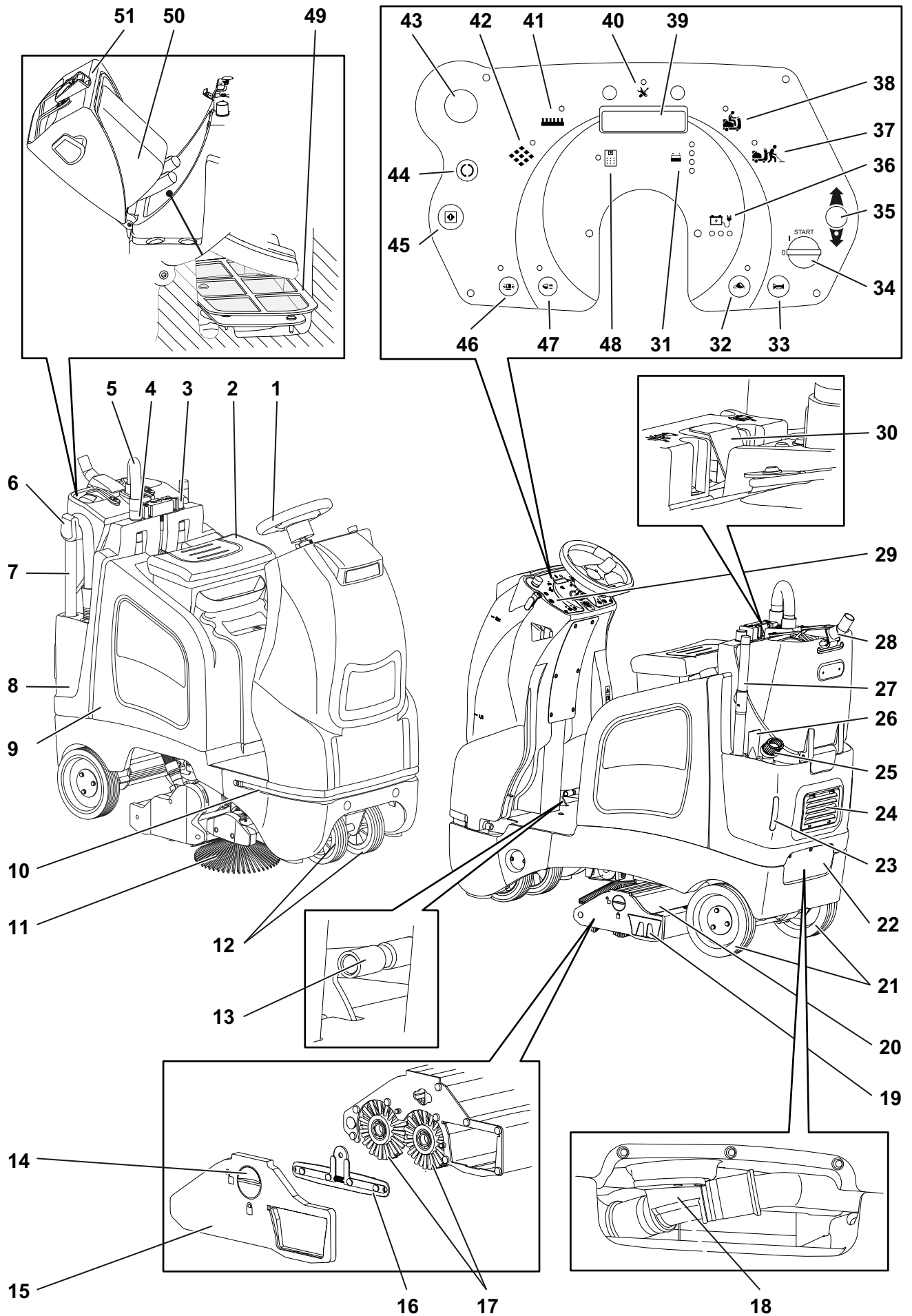
- Contactez le service clientèle pour de plus amples informations.

i Remarque:

Ce mode d'emploi ainsi que tous les modes d'emploi pour les machines TASKI sont disponibles sur le site Internet suivant:

www.taski.com

Vue d'ensemble



- 1 Volant
- 2 Siège conducteur avec contacteur de sécurité (détection de présence)
- 3 Raccordement du flexible d'aspiration en mode automatique
- 4 Raccordement du flexible d'aspiration en mode manuel
- 5 Flexible d'aspiration (mode de travail : automatique & manuel)
- 6 Support pour flexible d'aspiration
- 7 Flexible d'aspiration mode manuel
- 8 Réservoir
- 9 Compartiment à batterie
- 10 Éclairage de la zone de travail DEL
- 11 Brosses latérales
- 12 Roulettes avec support
- 13 Pédale de conduite
- 14 Verrouillage du couvercle
- 15 Couvercle du groupe de brosses
- 16 Support de brosse
- 17 Brosses cylindriques
- 18 Douille coudée pour flexible d'aspiration
- 19 Tamis à poussière
- 20 Groupe de brosses
- 21 Roues motrices
- 22 Couvercle de douille coudée pour flexible d'aspiration
- 23 Feux d'avertissement et de recul à LED
- 24 Filtre HEPA (en option)
- 25 Brosse à poussière
- 26 Suceur pour fentes
- 27 Tube télescopique
- 28 Suceur coulissant
- 29 Pupitre de commande
- 30 Verrouillage du couvercle du réservoir
- 31 Indicateur de batterie
- 32 Clé de conduite lente (MARCHE / ARRÊT)
- 33 Klaxon
- 34 Interrupteur
- 35 Clé de marche arrière
- 36 Indicateur de l'état de charge de la batterie
- 37 Indicateur mode manuel
- 38 Indicateur mode automatique
- 39 Écran
- 40 Indicateur de service
- 41 Indicateur groupe de brosses réglage moquette
- 42 Indicateur groupe de brosses réglage sol dur
- 43 Arrêt d'urgence
- 44 Clé réglage moquette / sol dur
- 45 Clé de programme (MARCHE / ARRÊT)
- 46 Clé de témoin lumineux DEL (MARCHE / ARRÊT)
- 47 Clé d'éclairage de la zone de travail DEL (MARCHE / ARRÊT)
- 48 Indicateur sac à poussière
- 49 Tissu filtrant
- 50 Sac à poussière non tissé
- 51 Couvercle du réservoir

Batteries

Batteries admissibles

Des batteries de traction sont nécessaires pour l'utilisation de cette machine (pas de batteries liquides, de démarrage ou portables). Nous recommandons des batteries de traction pures. Seules ces batteries garantissent une longue durée d'utilisation.

Les batteries de traction sont produites sous la forme de batteries fermées ou de batteries sans entretien (VRLA) (gel, AGM, PureLead, lithium). Pour chaque modèle et constructeur, la machine doit être réglée en conséquence.

Chaque batterie offre une durée d'utilisation différente et des caractéristiques de performance variées.

La programmation de la machine ou du chargeur doit être effectuée après l'installation des batteries ou lors d'un changement du type et / ou du fabricant de batteries et avant la mise en service.

Un réglage erroné peut entraîner une panne précoce des batteries.

Remarque:

Ne pas mélanger des batteries différentes, ou des anciennes avec des nouvelles ou des batteries défectueuses.

Remarque:

Les batteries anciennes et / ou défectueuses doivent être éliminées correctement. Consulter les informations à la page 40

Mesures de sécurité pour la manipulation des batteries



Les batteries contiennent de l'acide. Lors des travaux de maintenance, porter des lunettes de protection pour le montage et le démontage des batteries liquides !



Rincer abondamment avec de l'eau propre les projections d'acide dans les yeux ou sur la peau. Puis, consulter immédiatement un médecin. Laver les vêtements avec de l'eau !



Un mélange gazeux dangereux se forme lors du chargement des batteries. Tenir impérativement éloigné des flammes ouvertes ou des objets chauffés !



Ne pas fumer !



Danger de brûlure par acide !



Prudence ! Les pôles de la batterie sont toujours sous tensions, ne pas poser d'objet dessus !

Attention:

Conserver les batteries propres et sèches. Essuyer immédiatement les fuites d'acide ou d'eau.

- Portez des gants de protection.

⚠ Attention:

Seuls des services après-vente ou des techniciens Diversy agréés peuvent installer les batteries selon le schéma de raccordement.

Les erreurs de montage ou de raccordement peuvent entraîner des blessures graves, une explosion et des dommages importants de la machine et de son environnement.

⚠ Attention:

Veillez à une ventilation suffisante lors du chargement des batteries.

i Remarque:

Respectez également la produit Fiche de donnée de sécurité du fabricant des batteries.

i Remarque:

Respectez également les instructions d'utilisation du fabricant des batteries.

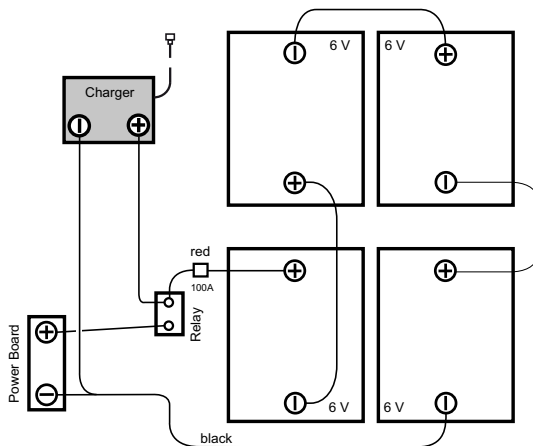
⚠ Attention:

Lors de la maintenance des batteries, celles-ci doivent être séparées de la machine !

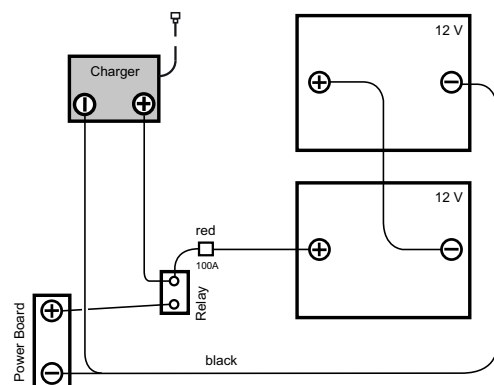
Schéma de raccordement des batteries

AERO 3500µmicro (Gel)

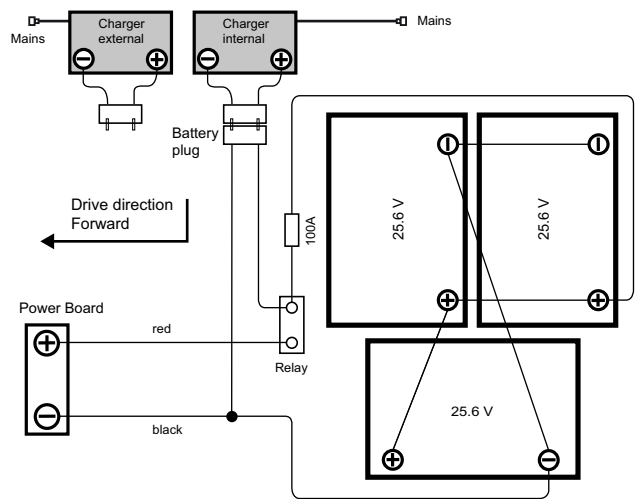
Batteries 6V



Batteries 12V



AERO 3500µmicro (Lithium)



Processus de charge

⚠ Attention:

Respectez les instructions d'utilisation du fabricant du chargeur de batterie externe.

⚠ Attention:

Chaque type de batterie et / ou fabricant de batterie requiert une courbe de chargement différente.

Une courbe de chargement erronée ou l'utilisation d'un chargeur inapproprié entraîne une panne précoce ou une destruction rapide des batteries.

i Remarque:

Les chargeurs embarqués disponibles en option sont adaptés à la taille de la batterie et contiennent plusieurs courbes de chargement réglées en usine ou par le technicien de service TASKI pour les batteries recommandées. Cette consigne s'applique également à l'utilisation de chargeurs stationnaires (externes).

⚠ Attention:

Des utilisations brèves durables avec rechargement consécutif peuvent endommager durablement les batteries.

- Valeur de référence : Avant un rechargement, un déchargement minimum d'env. 20% de la capacité disponible doit avoir eu lieu.

⚠ Attention:

Pour atteindre leur durée de vie maximale, les batteries de traction doivent parcourir 2x par semaine un cycle de charge complet (12-16 heures).

⚠ Attention:

Avant un arrêt de longue durée de la machine, les batteries doivent parcourir un cycle de charge complet. Le chargeur est ensuite séparé de la machine ou du secteur. Les batteries se déchargent au fil du temps. Selon le type, elles doivent être rechargées après 3 à 6 mois.

- Avant une remise en service, les batteries doivent à nouveau parcourir un cycle de charge complet.

Processus de chargement avec chargeur externe

i Remarque:

N'utiliser que des chargeurs recommandés par le fabricant de la batterie et certifiés SELV (sécurité très basse tension).

STOP Danger:

Ne pas brancher le chargeur à la machine lorsqu'il est sous tension (chargeur activé).

L'utilisateur pourrait se blesser par un choc électrique.

! Avertissement:

Les cordons de chargement transmettent des courants élevés. En cas de signe de dommage sur la fiche, le câble ou le raccordement de l'appareil, ne pas utiliser le chargeur

- Raccordez le chargeur de batterie externe à la prise jack chargeur de la batterie.

i Remarque:

Assurez-vous que la fiche soit enfoncée jusqu'à la butée d'arrêt pour garantir un bon contact électrique.

i Remarque:

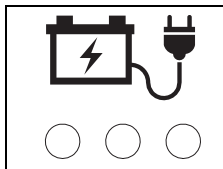
Vérifier si le chargeur branché a démarré le processus de chargement.

i Remarque:

Toutes les fonctions de la machines sont désactivées pendant le processus de chargement.

Processus de chargement avec chargeur embarqué (en option)

- La machine doit être coupée.
- Reliez le cordon d'alimentation principale avec une prise de courant inerte.



- L'indicateur jaune reste allumé jusqu'à ce que 90 % de la capacité de la batterie soient atteints. Puis, l'indicateur clignote jusqu'à ce que la batterie soit pleine.
- Lorsque le processus de charge est terminé, l'indicateur vert s'allume.

Après le processus de chargement

! Avertissement:

Coupez le chargeur avant de séparer le raccordement aux batteries.

La séparation du chargeur allumé peut entraîner une explosion dans le compartiment à batterie.

- Rangez le cordon d'alimentation principale en cas de chargeurs embarqué (en option) dans la zone prévue.
- Conservez le cordon de chargement au sec et à l'abri des dommages.

Maintenance et entretien de batteries ouvertes

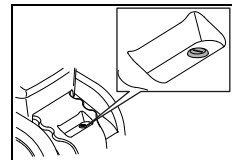
i Remarque:

L'entretien de batteries ne nécessitant pas de maintenance se limite au maintien de processus de chargement corrects et au réglage de la courbe de chargement.

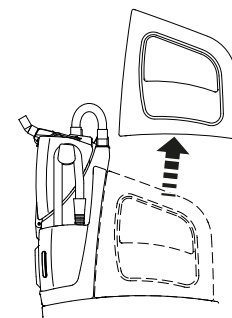
Ouvrir le compartiment à batterie pour maintenance

- La machine doit être coupée.
- Retirez le siège conducteur du capot de siège et posez-le par terre.

Vous empêchez ainsi les blessures sur les personnes dues à la chute du siège conducteur.



- Ouvrez le compartiment à batterie avec la clé fournie.



- Retirez le capot de siège et posez-le doucement sur le sol.

La batterie peut à présent être révisée selon les indications du fabricant.

Avant la mise en service

Frein de stationnement

- Le frein de stationnement est déverrouillé automatiquement par le système électronique en appuyant sur le pédale d'accélérateur.

i Remarque:

Quand la machine est immobile, le frein de stationnement est toujours activé.

Lorsque la machine est allumée et coupée.

Ouverture :

i Remarque:

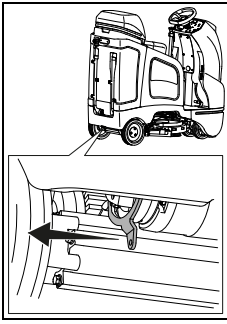
Le siège conducteur est équipé d'un contacteur de sécurité (détection de présence). Ce contacteur de sécurité est actionné quand le siège conducteur est occupé.

La machine ne peut être utilisée que lorsque le contacteur de sécurité est actionné.

Ouverture d'urgence :

i Remarque:

En cas de panne de la commande ou de la tension d'alimentation, vous pouvez actionner le frein de stationnement manuellement.



- Le levier d'ouverture doit donc être tiré de façon permanente. Celui-ci se trouve au niveau de la roue arrière gauche.

Contrôler l'arrêt d'urgence

⚠ Attention:

Le poussoir d'arrêt d'urgence est un élément de sécurité important.

- Il faut donc contrôler régulièrement leur fonction à des intervalles courts avant l'utilisation de la machine.
- Mettez la machine en marche.
- Actionnez l'interrupteur de conduite tout en maintenant le volant droit. La machine se met en mouvement tout droit.
- Appuyez maintenant sur l'arrêt d'urgence.

i Remarque:

La machine doit freiner brusquement jusqu'à l'arrêt complet et avancer tout droit sans correction de direction.

STOP Danger:

Si l'une de ces fonctions est absente, la machine doit être mise hors service jusqu'à sa réparation correcte par un partenaire de service TASKI agréé.

Dispositifs d'avertissement

⚠ Avertissement:

Le fonctionnement des dispositifs d'avertissement tels que témoin lumineux, flash lumineux et signal sonore en marche arrière, doit être contrôlé régulièrement. Tout dysfonctionnement doit être supprimé immédiatement.

L'utilisation de la machine avec des dispositifs d'avertissement absents ou défectueux requiert une prudence et une attention encore plus élevées.

- Les dispositifs d'avertissement ne doivent pas être recouverts.

⚠ Avertissement:

Les prescriptions nationales ont toujours la priorité.

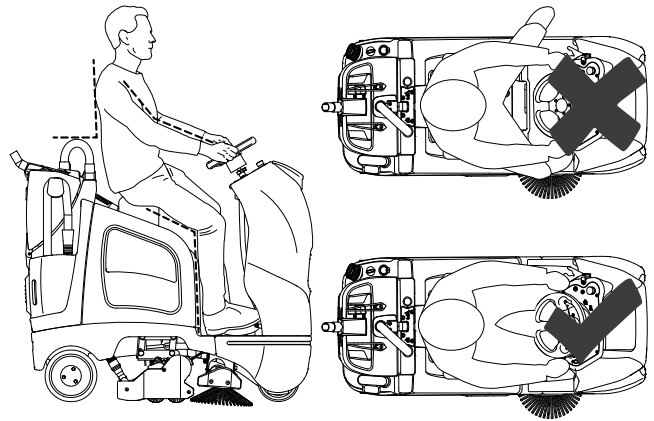
- Elles peuvent éventuellement exiger d'autres comportements et doivent donc être impérativement respectées.

Réglage de la position du siège

i Remarque:

Le siège conducteur et le volant peuvent être réglés à votre guise pour que vous puissiez obtenir une position confortable.

Position de conduite recommandée

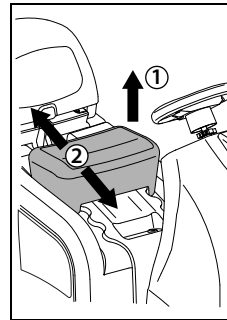


⚠ Avertissement:

Assurez-vous d'avoir une position assise correcte. Les jambes ne doivent pas dépasser latéralement de la machine.

Cela peut entraîner des blessures graves lors de passages dans des endroits étroits ou près d'objets fixes (par exemple des rampes, des poteaux, etc.) dans l'environnement de nettoyage.

Réglage du siège conducteur

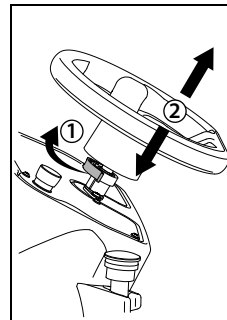


- La position du siège conducteur peut être réglée en le soulevant [1] et le déplaçant [2].

i Remarque:

Veillez alors à ce que le siège conducteur soit positionné correctement dans les rainures prévues.

Réglage du volant



- Déverrouillez le levier [1], mettez le volant [2] dans la position souhaitée et verrouillez à nouveau le levier.

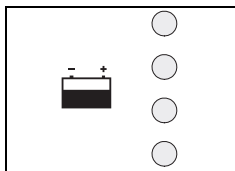
Déplacement

Utilisez le volant pour contrôler la direction et la pédale d'accélérateur pour la vitesse. La vitesse est réglée en continu.

Relâchez l'interrupteur de conduite pour freiner la machine jusqu'à l'arrêt et activer le frein de stationnement.

Marche avant

- Allumez la machine (interrupteur).



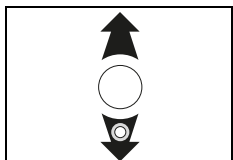
- Tous les indicateurs s'allument un instant.
*L'indicateur de batterie vous indique la préparation au fonctionnement de la machine.
(en cas de défaut, voir page 39).*

- Pour la marche avant, il suffit d'appuyer sur la pédale d'accélérateur.

⚠ Attention:

En cas de courbe, la vitesse est réduite électroniquement.

Marche arrière



- En appuyant sur la clé marche arrière, l'indicateur en-dessous s'allume et émet un signal sonore.

Déplacement de la machine (en cas de défaut)

i Remarque:

De manière générale, le déplacement doit être effectué par deux personnes.

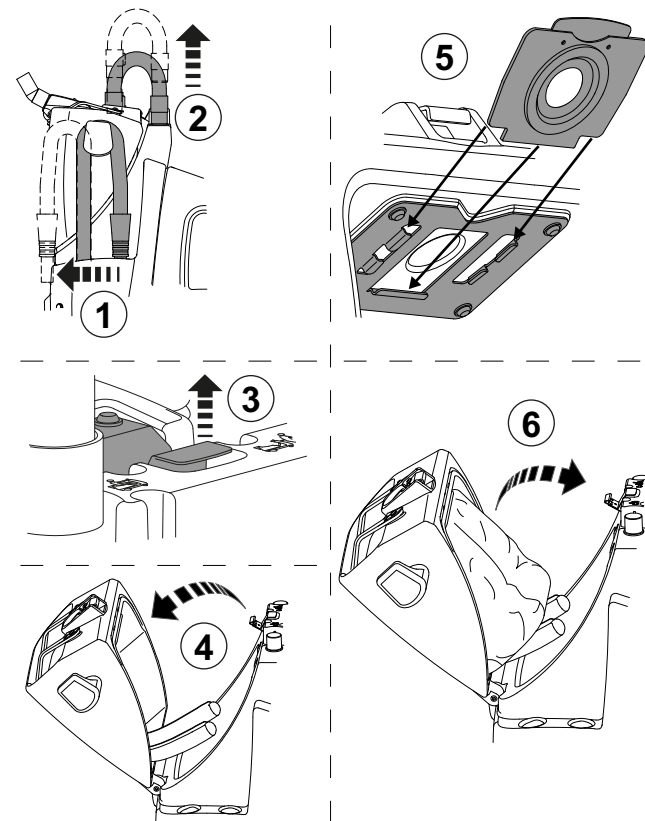
⚠ Avertissement:

Du fait du poids élevé de la machine, son déplacement manuel entraîne des risques !

Un trébuchement peut causer des blessures ou des dommages sur la machine.

- Le déplacement n'est possible qu'après actionnement du bouton de déverrouillage. (Voir page 33)

Installer le sac à poussière



i Remarque:

N'utilisez jamais la machine sans sac à poussière non tissé.

Installer les brosses cylindriques

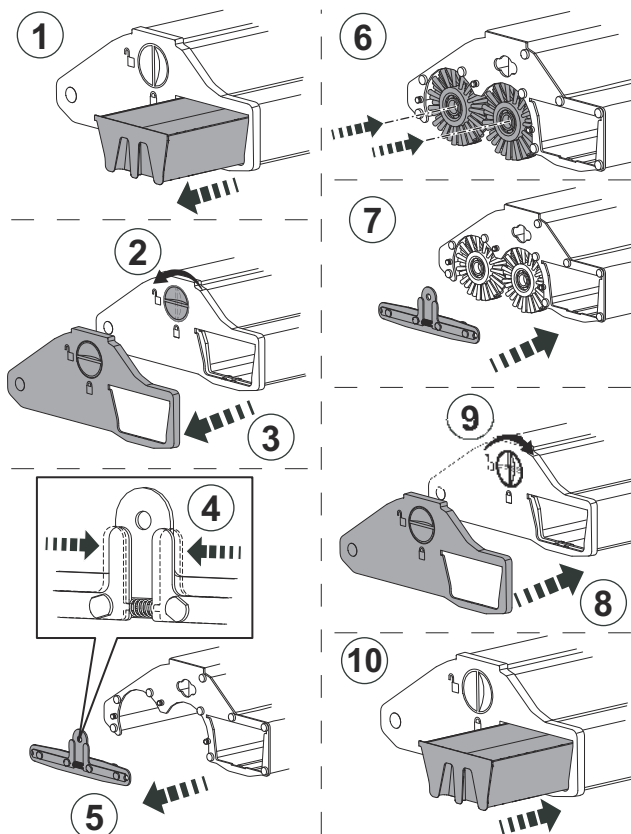
Avant le réglage, vérifiez :

- que la brosse n'est pas en-dessous du marquage rouge / jaune et que la longueur de poils n'est pas inférieure à 1,4 cm.

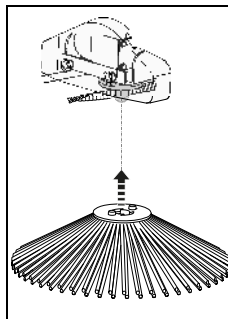
⚠ Attention:

N'utilisez pas de brosses ayant atteint la limite d'usure. Utilisez uniquement des brosses TASKI originales.

Le non respect peut entraîner des résultats de nettoyage médiocres, voire des dommages sur les sols.



Installer les brosses latérales



- Appuyez les brosses latérales vers le haut dans le logement prévu à cet effet.
- Tournez les brosses latérales dans le sens horaire jusqu'à ce que les picots s'enclenchent dans les trous de logement.

i Remarque:

Les brosses latérales sont correctement installées dès qu'elles ne peuvent plus être tournées à la main.

Application technique

Machine	
Nettoyage humide	non
Nettoyage de base	non
Shampooing au mouillé	non
Shampooing à sec	non
Nettoyage à sec (sol dur et moquette)	oui

Démarrer les opérations

Attention:

Lorsque vous travaillez avec cette machine, portez toujours des chaussures antidérapantes et des vêtements de travail appropriés !

Attention:

Gardez toujours les deux mains sur le volant / la poignée de conduite lorsque la machine est en marche pour une utilisation sûre.

Attention:

Familiarisez-vous d'abord avec la machine en essayant de rouler dans un endroit vide !

Avertissement:

Avant de débuter le travail (en position de travail), contrôlez si votre champ de vision permet de garantir un travail en toute sécurité. Respecter la norme EN 3411.

Un champ de vision insuffisant peut rendre le travail plus difficile et gêner ainsi la sécurité de l'opérateur, de la machine et des tiers.

Avertissement:

Pendant le travail, respecter la hauteur de passage maximale pour les portes et les passages souterrains ; celle-ci est indiquée sur la plaque signalétique de la machine.

Danger:

S'il existe un risque de chute d'objets pendant l'utilisation de la machine, prendre ou respecter les mesures de protection nécessaires conformément aux prescriptions nationales.

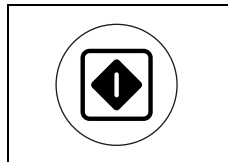
Remarque:

Si vous travaillez dans des bâtiments publics, la lumière d'avertissement doit être allumée.

- Asseyez-vous sur le siège conducteur.
- Vérifiez que la clé d'arrêt d'urgence est déverrouillée.
- Allumez la machine (interrupteur).

Les indicateurs s'allument un instant.

Démarrage avec la clé de programme



- Appuyez sur la clé de programme lors du prochain démarrage des opérations ou de la prochaine section de travail pour démarrer toutes les fonctions de la machine avec les dernières valeurs de fonctionnement utilisées.

Remarque:

Les valeurs réglées peuvent être ajustées à tout moment pendant la procédure de travail.

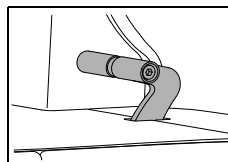
Les valeurs réglées au moment de la coupure sont enregistrées et seront à nouveau activées automatiquement au prochain allumage.

Remarque:

Appuyez sur la clé de programme à la fin des opérations pour démarrer un programme optimisé pour la fin des opérations : voir la description à la page 37 sous (Processus automatique).

Les réglages et fonctions activées sont enregistrés.

Début du nettoyage



- Lorsque la machine est allumée et qu'un utilisateur est assis sur le siège conducteur, la machine se met en mouvement lors de l'actionnement de la pédale d'accélérateur. Le groupe de brosses et les brosses latérales démarrent.

Remarque:

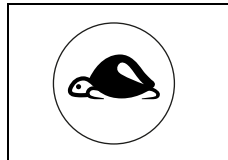
La vitesse de conduite est commandée par la position de la pédale d'accélérateur. Relâchez la pédale d'accélérateur pour freiner la machine automatiquement jusqu'à l'arrêt et activer le frein de stationnement.

Les brosses latérales et le groupe de brosses s'arrêtent.

Attention:

Si vous travaillez dans des zones encombrées ou étroites, il est conseillé d'appuyer sur la clé de conduite lente MARCHE / ARRÊT. (Indicateur allumé)

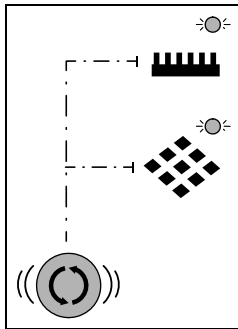
Cela réduit la vitesse de travail maximale et minimise le risque d'accident.



- Appuyez à nouveau sur la clé pour annuler la limitation, l'indicateur s'éteint.

Régler le groupe de brosses

Le groupe de brosses peut être réglé individuellement pour deux sols différents.



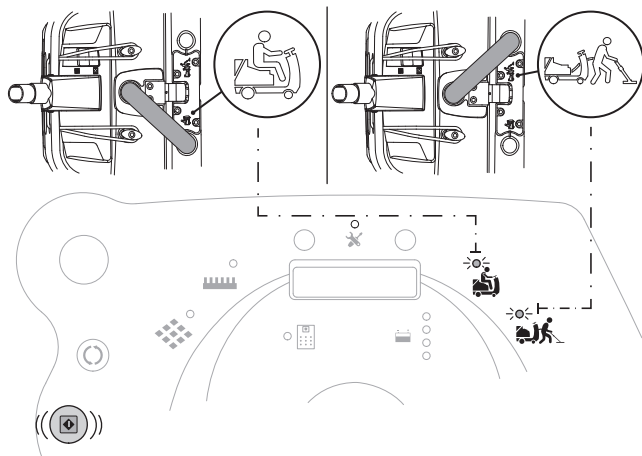
- Pour le réglage, appuyez sur la clé réglage moquette / sol dur.
La sélection est indiquée sur le pupitre de commande.

Modes de travail

Deux modes de travail différents sont prévus sur cette machine. Un mode automatique et un mode manuel.

Mode automatique

Mode manuel



i Remarque:

Dans le cas d'une combinaison spéciale de revêtement de sol / encrassement et de produit de nettoyage, la conduite de la machine peut parfois être gênée.

- La traction de la machine sur le sol peut être améliorée grâce à des roues disponibles en option. Veuillez contacter votre conseiller TASKI.

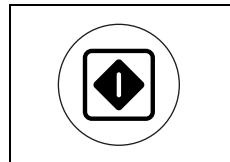
Capacité de la batterie - fin de la préparation au fonctionnement

L'indicateur de batterie vous informe de la durée d'utilisation disponible.

- Quand l'indicateur rouge commence à clignoter, il reste environ 5 minutes d'utilisation.
- Puis, le groupe de brosses et les brosses latérales sont relevés. L'indicateur rouge passe à une lumière permanente.
- Il vous reste encore 10 minutes pour conduire la machine à la station de charge. La machine s'arrête ensuite automatiquement.
- Pour recommencer à l'utiliser, il faut que la batterie soit complètement chargée.

Fin des opérations

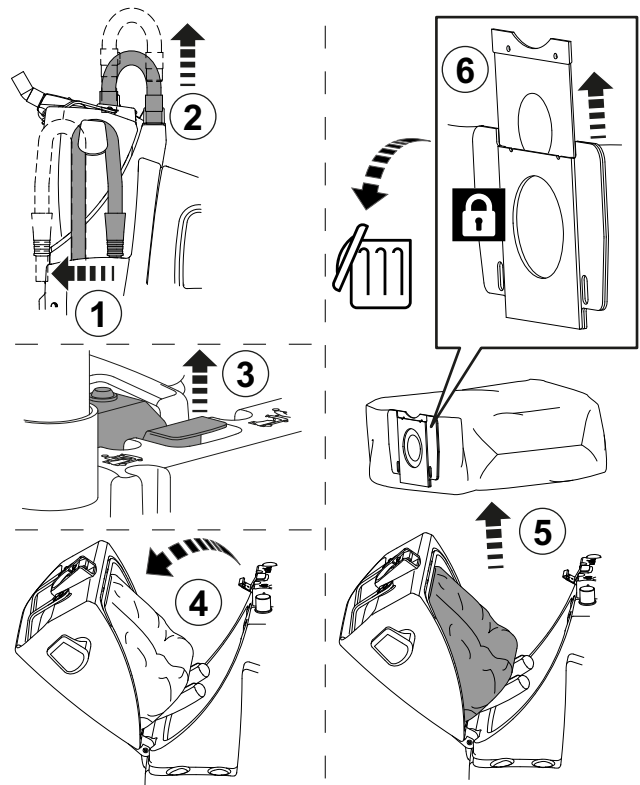
Procédure automatique



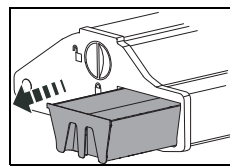
- Appuyez sur la clé de programme MARCHÉ / ARRÊT.

- Le moteur d'aspiration est arrêté.
- Les brosses latérales et le groupe de brosses s'arrêtent et sont soulevés.

Remplacer le sac à poussière

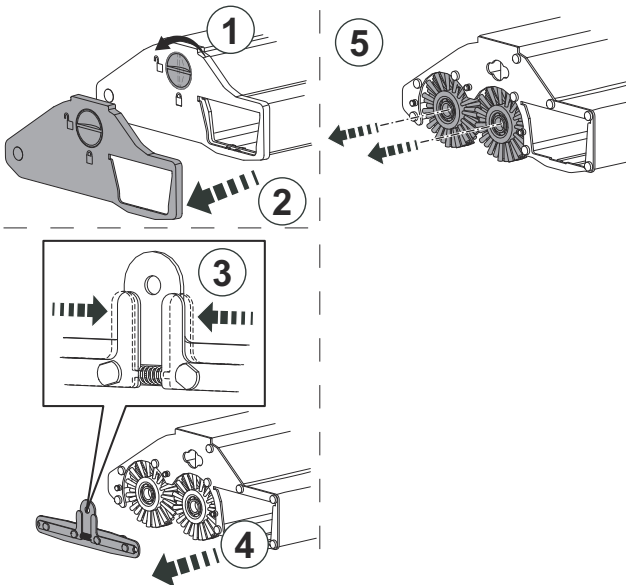


Retirer et nettoyer le tamis à poussière



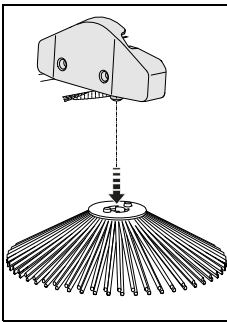
- Videz le tamis à poussière et aspirez la poussière résiduelle avec un aspirateur.

Retirer et nettoyer les brosses cylindriques



- Libérez les brosses des poils et cheveux enroulés ou des objets similaires et aspirez la poussière résiduelle avec un aspirateur.

Remplacer et nettoyer les brosses latérales



- Libérez les brosses latérales des poils et cheveux enroulés ou des objets similaires et aspirez la poussière résiduelle avec un aspirateur.

Nettoyer la machine

⚠ Attention:

Ne nettoyez jamais la machine avec un nettoyeur haute pression ou sous un jet d'eau.

Les pièces mécaniques ou électriques de la machine peuvent être gravement endommagées par la pénétration d'eau.

- Essuyez la machine à l'aide d'un chiffon humide.

Entreposage / stationnement de la machine (hors service)

i Remarque:

Entreposez la machine avec le groupe de brosses relevé et les brosses démontées.

⚠ Attention:

N'entrez jamais la machine avec une batterie déchargée.

Les batteries seraient sinon endommagées de façon irréparable.

Service, maintenance et entretien

La maintenance de la machine est la condition pour un fonctionnement parfait et une longue durée de vie.

⚠ Attention:

N'utilisez que des pièces TASKI originales, sans quoi la garantie et les droits de réclamation sont annulés !

i Remarque:

Afin d'exclure un fonctionnement accidentel de la machine, veillez toujours aux points suivants avant de débiter les travaux d'entretien :

- la machine doit être coupée,
- retirer la clé et
- actionner l'arrêt d'urgence.

Explication des symboles :

◇ = À chaque fin de nettoyage, ◇◇ = chaque semaine, ◇◇◇ = chaque mois, ⊗ = service de lampe

Activité	◇	◇◇	◇◇◇	⊗	Page
Charger les batteries	•				33
Nettoyer toutes les pièces marquées en jaune	•				
Nettoyer les brosses cylindriques	•				38
Nettoyer les brosses latérales	•				38
Examiner / remplacer le sac à poussière	•				37
Examiner / remplacer le tissu filtrant	•				30
Examiner / remplacer le filtre d'échappement		•			30
Examiner / remplacer le filtre HEPA		•			30
Essuyer la machine avec un chiffon humide	•				38
Contrôler le poussoir d'arrêt d'urgence				•	33
Programme de maintenance / service par un technicien de service Diversey				•	

Intervalle de maintenance

Les machines TASKI sont des machines de grande qualité dont la sécurité a été contrôlée à l'usine par des contrôleurs autorisés. Après une longue durée d'utilisation, les composants électriques et mécaniques sont soumis à l'usure et au vieillissement.



- Pour conserver la fiabilité et la disponibilité, un service d'entretien doit être effectué lorsque l'indicateur de maintenance s'allume (réglages par défaut 650 heures de travail) ou au moins une fois par an.

i Remarque:

Dans le cas d'une sollicitation extraordinaire et/ou une maintenance insuffisante, des intervalles plus courts sont possibles.

Service clientèle

Si vous nous contactez en raison d'un dysfonctionnement ou d'une commande, veuillez toujours mentionner la désignation de type et le numéro de la machine.

Ces informations se trouvent sur la plaque signalétique de votre machine. Vous trouverez l'adresse du partenaire de service TASKI le plus proche de chez vous à la dernière page des présentes instructions d'utilisation.

Défauts

Défaut	Cause possible	Résolution du défaut	Page
Impossible de mettre la machine en marche	Machine arrêtée	• Tourner la clé	30
	Poussoir d'arrêt d'urgence appuyé	• Déverrouillez le poussoir d'arrêt d'urgence appuyé	30
	Code d'erreur à l'écran	• Contacter le partenaire de service	40
	Système anti-démarrage activé ou problème du système de contrôle	• Asseyez-vous sur le siège conducteur	
	Batterie déchargée ou chargeur défectueux	• Charger la batterie • Contacter le partenaire de service	33
	Batteries défectueuses	• Contacter le partenaire de service	
La brosse ne tourne pas	Entraîneur de brosse coupé	• Appuyer sur la clé de programme	30
	Le moteur tourne mais pas la brosse	• Courroie de transmission défectueuse • Vérifier que la brosse soit raccordée • Contacter votre partenaire de service	
Mauvaise performance d'aspiration	Flexible d'aspiration mal enfiché	• Enficher le flexible d'aspiration	37
	Flexible d'aspiration bouché	• Nettoyer le flexible d'aspiration	30
Impossible de couper le groupe de brosses ou le système d'aspiration	Problème dans l'électronique ou le panneau de commande	• Couper la machine à l'aide de l'arrêt d'urgence • Contacter le partenaire de service	30

Données techniques

Machine		
Largeur de travail	65	cm
Largeur de cylindre	51	cm
Dimensions (L x P x H)	135 x 58 x 128	cm
Poids maximal de la machine prête au fonctionnement	380	kg
Tension nominale	24V	CC
Puissance nominale	1300	W
Volume utile	15	l

Valeurs déterminées selon la CEI 60335-2-72		
Niveau de pression acoustique LpA	<70	dB(A)
Incertitude KpA	2.5	dB(A)
Valeur de vibration totale	< 2,5	m/s ²
Incertitude K	0,25	m/s ²
Protection anti-éclaboussures	IPX3	
Classe de protection	III	

Accessoires

N°	Article
7524872	Sac à poussière non tissé jetable AERO 3500 (lot de 10)
7524873	Filtre HEPA H13 AERO 3500
7524874	Support MopBox AERO 3500
7524875	Support pour accessoire AERO 3500
7524877	Kit de brosses cylindriques AERO 3500
7524878	Brosses latérales AERO 3500
7524879	Tissu filtrant AERO 3500 (lot de 5)
7524880	Filtre d'échappement AERO 3500 (lot de 5)

Codes d'erreur

Les codes d'erreur sont affichés à l'écran.

Remarque:

En cas d'affichage d'un code d'erreur, couper et rallumer la machine

Une erreur peut éventuellement être corrigée en éteignant et en rallumant la machine.

Transport

Avertissement:

Cette machine ne doit être soulevée qu'avec un outil approprié (par exemple une plateforme de levage, rampe d'accès, etc.) !

Attention:

La prise de déconnexion de batterie doit être débranchée pour le transport.

Remarque:

Transportez la machine debout.

Remarque:

Assurez-vous que la machine soit bien attachée et sécurisée dans le véhicule de transport.

Mise au rebut

Remarque:

Après leur retrait progressif, la machine et les accessoires doivent être remis à un centre d'élimination approprié conformément aux prescriptions nationales.

- Votre partenaire de service Diversey peut vous aider.

Batteries

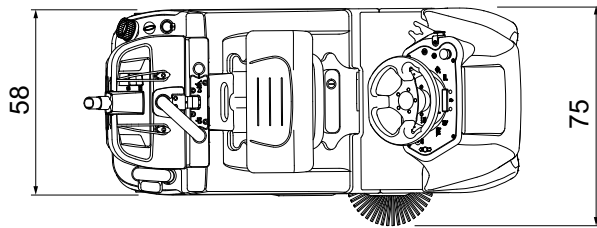
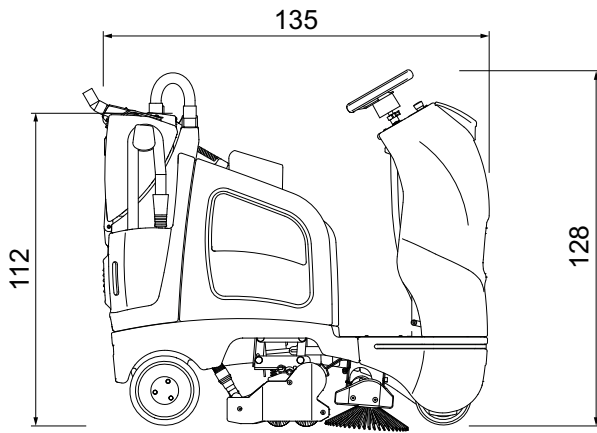
Avertissement:

Les batteries doivent être retirées de la machine avant que celle-ci ne soit amenée à un centre d'élimination.

Les batteries usagées doivent être recyclées conformément à la directive européenne 2006/66/CE ou des directives nationales correspondantes.

Dimensions de la machine

Les dimensions sont indiquées en centimètres !



PT Tradução das instruções de utilização originais



Antes da primeira colocação em funcionamento, é obrigatório ler as instruções de utilização e as instruções de segurança. Guarde cuidadosamente as instruções de utilização e mantenha-as acessíveis para poderem ser consultadas a qualquer momento.

Explicações dos símbolos

PERIGO:

Este símbolo alerta para informações importantes. A não observância destas indicações pode representar perigo para pessoas e/ou provocar danos materiais consideráveis!

ATENÇÃO:

Este símbolo alerta para informações importantes. A não observância destas indicações pode representar perigo para pessoas e/ou provocar danos materiais consideráveis!

CUIDADO:

Este símbolo alerta para informações importantes. A não observância destas indicações pode provocar avarias e danos materiais!

INDICAÇÃO

Este símbolo alerta para informações importantes associadas à utilização eficiente do produto. A não observância destas indicações pode provocar avarias!

Índice

Instruções de segurança	42
Produtos de limpeza	43
Documentação alargada	43
Vista da estrutura	44
Baterias	45
Antes da colocação em funcionamento	47
Início de trabalho	50
Fim da operação	51
Assistência técnica, manutenção e cuidado	52
Avarias	53
Dados técnicos	53
Acessórios	54
Códigos de erro	54
Transporte	54
Eliminação	54
Dimensões da máquina	54

Utilização adequada de máquinas

As máquinas destinam-se ao uso comercial (por ex. hotéis, escolas, hospitais, fábricas, centros comerciais, pavilhões desportivos, escritórios etc.).

Respeitando rigorosamente estas instruções de utilização, as técnicas de aplicação indicadas na página 50 são válidas para cada uma delas.

PERIGO:

As modificações na máquina não autorizadas pela Diversey conduzem à perda de validade dos indicadores de segurança e da conformidade CE. Uma utilização da máquina contrária à utilização adequada de máquinas pode causar danos pessoais, na máquina e no ambiente de trabalho. Nestes casos quaisquer direitos de garantia e a indemnização perdem a validade.

ATENÇÃO:

Esta máquina destina-se apenas para aplicações a seco.

CUIDADO:

Esta máquina foi concebida exclusivamente para ser usada em áreas interiores.

Instruções de segurança

As máquinas TASKI foram projetadas e construídas de acordo com os requisitos legais básicos aplicáveis de segurança e proteção da saúde pelas diretivas CE e, por isso, exibem a marcação CE.

PERIGO:

A máquina só pode ser utilizada por pessoas que tenham recebido formação adequada sobre a utilização ou tenham comprovado as suas capacidades na sua operação e tenham sido expressamente autorizadas para o seu uso.

PERIGO:

A máquina não pode ser utilizada por pessoas com capacidades físicas, sensoriais ou mentais limitadas, incluindo crianças, ou sem experiência e conhecimentos.

As crianças devem ser vigiadas de modo a garantir que não brincam com a máquina.

PERIGO:

A máquina não pode ser utilizada em áreas onde se encontrem armazenados ou sejam processados materiais explosivos ou facilmente inflamáveis (por ex. benzina, solventes, fuelóleo, poeiras).

Os componentes elétricos ou mecânicos poderão causar a ignição destes materiais.

PERIGO:

A máquina não pode ser utilizada para aspirar materiais tóxicos, prejudiciais para a saúde, corrosivos ou que causem irritação (por ex. pós perigosos, etc.) ou líquidos inflamáveis. O sistema de filtragem não bloqueia eficazmente este tipo de materiais.

Não podem ser excluídos possíveis danos para a saúde do utilizador e de terceiros.

PERIGO:

Tenha em atenção as condições específicas do local, em especial a presença de terceiros e de crianças! Deve, por ex., dar especial atenção ao modo de reduzir a velocidade ao aproximar-se de zonas irregulares, por ex. portas ou curvas.

STOP PERIGO:

Não podem ser transportadas pessoas nem objetos nesta máquina.

STOP PERIGO:

No caso de ocorrência de uma anomalia, um defeito ou após uma colisão ou uma queda, a máquina deve ser inspecionada por um técnico especializado autorizado antes de voltar a ser colocada em funcionamento. O mesmo é válido para os casos em que a máquina é deixada ao ar livre, mergulhada em água ou exposta a humidade.

STOP PERIGO:

Se forem causados danos em peças relevantes ao nível da segurança, por ex. na proteção da escova, cabo principal ou tampas de acesso a peças condutoras de energia, o funcionamento da máquina deve ser imediatamente interrompido!

STOP PERIGO:

A máquina não pode ser imobilizada, estacionada ou armazenada em superfícies inclinadas.

STOP PERIGO:

A máquina tem de estar desligada e a chave retirada antes da realização de qualquer trabalho na máquina.

STOP PERIGO:

A máquina pode ser usada em inclinações <2% nas operações de limpeza.

STOP PERIGO:

A máquina não pode ser utilizada em inclinações <10%. Os declives têm de ser percorridos em marcha lenta e utilizando o "turtle-mode", por forma a garantir uma paragem segura. Uma condução agressiva sobre inclinações pode limitar a estabilidade da máquina e é, por isso, proibida. Existe o perigo de acidente.

STOP PERIGO:

A máquina só pode ser utilizada sobre em superfícies fixas, estáveis e com capacidade suficiente. Em caso de inobservância existe o perigo de acidente.

ATENÇÃO:

A máquina deve ser operada e armazenada apenas em ambientes secos, sem pó, com temperaturas de +10 °C/+ 50 °F a + 35 °C/+ 95 °F.

ATENÇÃO:

A execução dos trabalhos de reparação nas peças mecânicas ou elétricas da máquina é da exclusiva responsabilidade do pessoal técnico autorizado, familiarizado com as diretivas relevantes em matéria de segurança.

ATENÇÃO:

Só podem ser utilizadas ferramentas (escovas, blocos ou semelhantes) que se encontrem especificadas como acessórios nas instruções de utilização ou que sejam recomendadas pela TASKI. As outras ferramentas podem comprometer a segurança e o funcionamento da máquina.

ATENÇÃO:

As diretivas nacionais sobre proteção de pessoal e prevenção de acidentes como também as indicações do fabricante sobre a utilização de produtos de limpeza têm de ser observadas de forma consistente.

CUIDADO:

Esta máquina destina-se exclusivamente a ser operada com bateria adequada e carregador testado.

CUIDADO:

A máquina tem de ser protegida contra uma utilização não autorizada. Por isso, retire sempre a chave antes de se afastar da máquina; ou guarde-a numa sala trancada.

INDICAÇÃO

As máquinas e aparelhos TASKI foram construídos com tecnologia de ponta que permite anular os efeitos nocivos para a saúde das emissões de ruído ou das vibrações.

Ver informações técnicas na página 53.

Produtos de limpeza**INDICAÇÃO**

As máquinas da TASKI são concebidas para poder alcançar os melhores resultados de limpeza com os produtos de limpeza TASKI. Os outros produtos de limpeza podem provocar avarias e danos na máquina ou no ambiente de trabalho. Por esta razão recomendamos que sejam usados exclusivamente produtos de limpeza TASKI.

As avarias provocadas pela utilização de produtos de limpeza inapropriados não são cobertas pela garantia.

- Para mais informações contacte o seu representante da assistência técnica da TASKI.

Documentação alargada**INDICAÇÃO**

Pode consultar o esquema elétrico desta máquina na lista de sobressalentes.

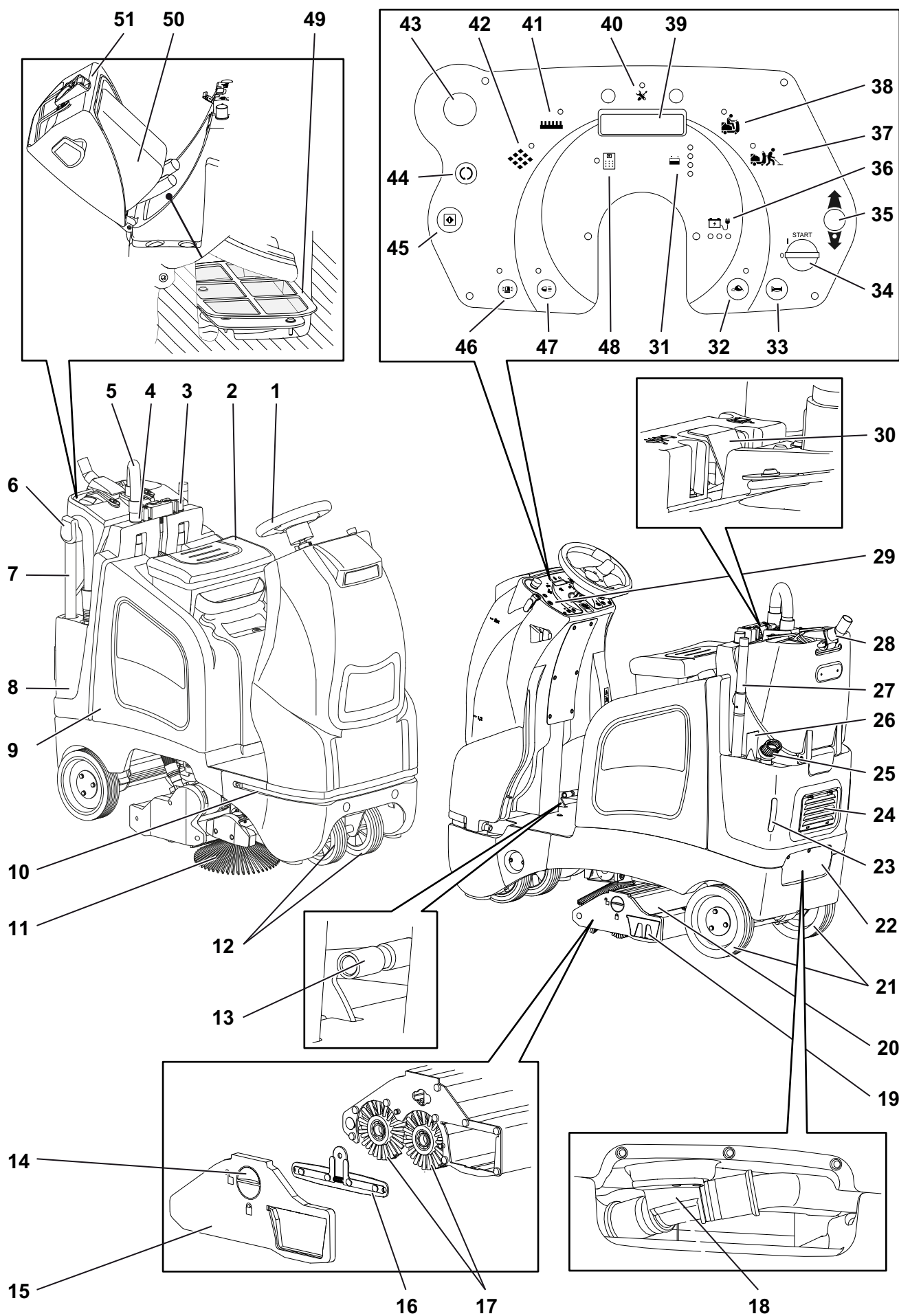
- Para mais informações contacte o seu serviço de apoio ao cliente.

INDICAÇÃO

Estas instruções de utilização, assim como todas as instruções de utilização para máquinas TASKI, encontram-se disponíveis no seguinte website:

www.taski.com

Vista da estrutura



- 1 Volante
- 2 Banco do condutor com interruptor de assento (monitorização de presença)
- 3 Ligação da mangueira de sucção Modo Automático
- 4 Ligação da mangueira de sucção Modo Manual
- 5 Mangueira de sucção (modo de trabalho: Automático & Manual)
- 6 Mangueira de sucção correia de ferramenta para swingo
- 7 Mangueira de sucção Modo Manual
- 8 Tanque
- 9 Compartmento da bateria
- 10 Luz de trabalho LED
- 11 Escova lateral
- 12 Rodízios com suporte
- 13 Pedal do acelerador
- 14 Bloqueio da tampa
- 15 Tampa da unidade de escovas
- 16 Suporte da escova
- 17 Escovas cilíndricas
- 18 Mangueira de sucção tomada de joelho
- 19 Filtro de sujidade
- 20 Unidade de escovas
- 21 Rodas motrizes
- 22 Tampa da mangueira de sucção tomada de joelho
- 23 Luz LED de advertência e marcha-atrás
- 24 Filtro (HEPA opcional)
- 25 Bocal de aspiração
- 26 Bocal fendas
- 27 Tubo telescópico
- 28 Bocal deslizante
- 29 Painel de controlo
- 30 Bloqueio da tampa do tanque
- 31 Indicador do estado da bateria
- 32 Botão Abordagem lenta (LIG / DESLIG)
- 33 Botão Buzina
- 34 Interruptor de chave
- 35 Botão Movimento de recuo
- 36 Indicador do estado de carga da bateria
- 37 Indicador Modo Manual
- 38 Indicador Modo Automático
- 39 Visor
- 40 Indicador Assistência técnica
- 41 Indicador Unidade de escovas Ajuste tapete
- 42 Indicador Unidade de escovas Ajuste pavimento duro
- 43 Paragem de emergência
- 44 Botão Ajuste tapete / Pavimento duro
- 45 Botão Programa (LIG / DESLIG)
- 46 Chaves de segurança Luz de aviso LED (LIG / DESLIG)
- 47 Botão Luz de trabalho LED (LIG / DESLIG)
- 48 Indicador saco de pó
- 49 Filtro de pano
- 50 Saco de pó de feltro
- 51 Tampa do tanque

Baterias

Baterias permitidas

Para a operação desta máquina são necessárias baterias de tração (nenhumas baterias inundadas, de arranque ou baterias do aparelho). Recomendamos baterias de tração novas. Apenas estas garantem uma durabilidade longa.

As baterias de tração são produzidas como baterias fechadas ou como baterias isentas de manutenção (VRLA), (Gel, AGM, Pure-Lead, lítio). A máquina tem de ser ajustada para cada tipo de modelo e vários fabricantes.

Cada bateria oferece uma duração de utilização diferente e diferentes características de potência.

A programação da máquina e do carregador tem de ser feita após a montagem das baterias ou durante a mudança do tipo de bateria e/ou de fornecedor e antes da colocação em funcionamento.

A configuração com erros pode provocar o desgaste prematuro das baterias.

INDICAÇÃO

Não devem ser utilizadas baterias diferentes, novas e velhas juntamente ou com defeito.

INDICAÇÃO

As baterias velhas ou com defeito devem ser eliminadas de forma adequada. Ver informações na página 54

Medidas de segurança no contacto com as baterias



As baterias contêm ácidos. Durante a manutenção, aquando a montagem e desmontagem do conjunto de bateria com manutenção, têm de ser utilizados óculos de proteção!



Enxaguar ou lavar o ácido projetado dos olhos ou das mãos com muita água corrente. Em seguida, consultar imediatamente um médico. Lavar a roupa com água!



Durante o carregamento das baterias produz-se uma mistura gasosa perigosa. Não manter chamas ou corpos incandescentes nas proximidades!



Não fumar!



Perigo de corrosão!



Cuidado! Os polos das baterias estão sempre sob tensão, por isso, não devem ser colocados objetos sobre as baterias!

CUIDADO:

Manter a bateria limpa e seca. Limpar de imediato os ácidos ou água de fuga.

- No processo, utilizar luvas de proteção.

⚠ CUIDADO:

As baterias só podem ser montadas por serviços de apoio ao cliente da Diversey ou por pessoal por ela autorizado e instaladas em conformidade com os esquemas de ligação.

Os erros ocorridos durante a montagem ou ligação podem causar ferimentos graves, provocar uma explosão e graves danos na máquina e no ambiente.

⚠ CUIDADO:

Durante a recarga das baterias deve ser garantida uma ventilação suficiente.

i INDICAÇÃO

Tenha adicionalmente em atenção a ficha de segurança do produto do fabricante da bateria.

i INDICAÇÃO

Tenha em atenção as instruções de serviço do fabricante da bateria.

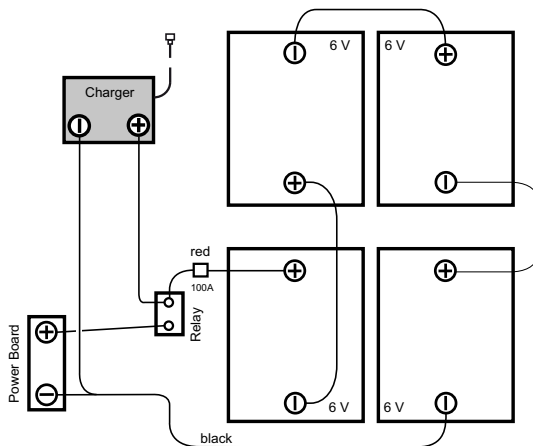
⚠ CUIDADO:

Durante a manutenção as baterias têm de ser desligadas da máquina!

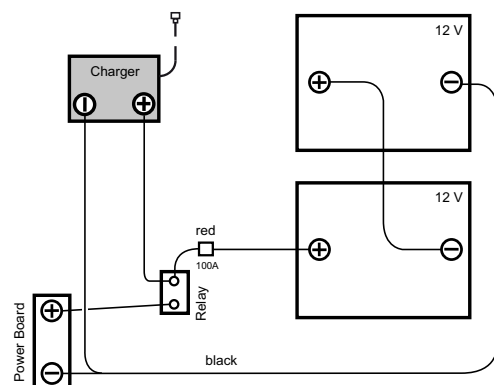
Esquema de ligação da bateria

AERO 3500µmicro (Gel)

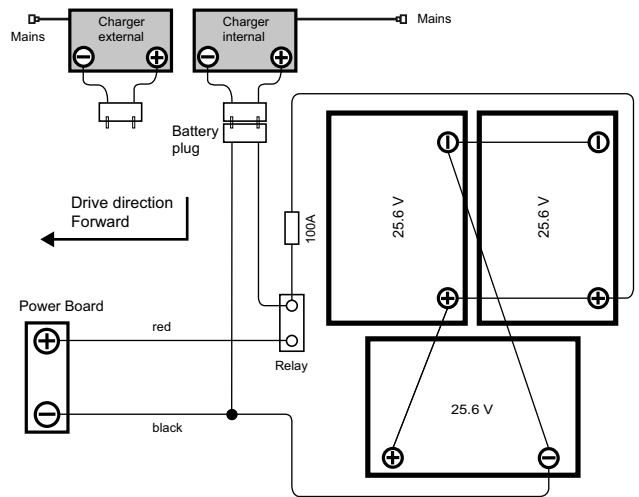
Baterias 6V



Baterias 12V



AERO 3500µmicro (lítio)



Processo de carga

⚠ CUIDADO:

Respeite as instruções de utilização do fabricante do carregador da bateria externo.

⚠ CUIDADO:

Cada tipo de bateria e/ou fabricante de bateria requer características de carga distintas.

A falta de correspondência com as características de carga ou a utilização de um carregador não apropriado produz o desgaste prematuro ou a destruição mais rápida das baterias.

i INDICAÇÃO

Os carregadores Onboard, disponibilizados como opção, podem ser adaptados aos tamanhos da bateria e apresentam várias curvas de carga as quais podem ser ajustadas de fábrica ou por técnico da assistência TASKI às baterias recomendadas. Esta instrução é igualmente válida para a utilização de carregadores estacionários (externos).

⚠ CUIDADO:

As aplicações curtas permanentes, com recarregamento adjacente, podem danificar as baterias de forma permanente.

- Valor indicativo: Antes de recarregar deve ter havido uma utilização mínima de aprox. 20% da capacidade disponível.

⚠ CUIDADO:

Para alcançar a máxima duração possível, as baterias de tração têm de executar um ciclo de carga completo (12-16 horas) 2x por semana.

⚠ CUIDADO:

Antes de um longo período de imobilização da máquina, as baterias terão de ser recarregadas por completo. O carregador é, em seguida, desligado da máquina ou da corrente. As baterias descarregam com o tempo. Dependendo do tipo de bateria, estas deverão ser recarregadas após 3 - 6 meses.

- Antes de voltar a colocar em funcionamento, as baterias recarregadas deverão passar por um ciclo de carga completo.

Processo de carga com um carregador externo

i INDICAÇÃO

Devem ser utilizados apenas carregadores recomendados pelo fabricante de baterias e certificados pela SELV (segurança de tensão extrabaixa).

STOP PERIGO:

Não ligue o carregador à máquina se o mesmo se encontrar sob tensão (carregador ligado).

O utilizador poderia sofrer ferimentos devido a choques elétricos.

⚠ ATENÇÃO:

O cabo do carregador difunde correntes altas. Se forem detetados danos na tomada, cabo ou na ligação do aparelho, o carregador não deverá ser utilizado.

- Ligue o carregador da bateria externo com a tomada do carregador da bateria da máquina.

i INDICAÇÃO

Certifique-se de que a tomada está inserida até à paragem do bloco para garantir um bom contacto elétrico.

i INDICAÇÃO

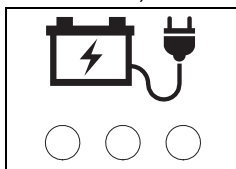
Verifique se o carregador conectado iniciou o processo de carga.

i INDICAÇÃO

Durante um processo de carga todas as funções da máquina são desativadas.

Processo de carga com carregador (opcional) Onboard

- A máquina tem de estar desligada.
- Ligue o cabo de rede a uma tomada (com fusível de ação retardada).



- O indicador amarelo acende permanentemente até que aprox. 90% da capacidade da bateria seja atingida. Depois, o indicador pisca até que a bateria carregue por completo.
- Concluído o processo de carga, o indicador verde acende.

Terminado o processo de carga

⚠ ATENÇÃO:

Desligue o carregador antes de desligar a ligação à bateria.

Ao desligar o carregador estando este ainda ligado pode ser provocada uma explosão no compartimento da bateria.

- Guarde o cabo principal, no caso de carregador Onboard (opcional), no local previsto para o efeito.
- Mantenha o cabo do carregador seco e protegido de danos.

Limpeza e cuidado das baterias abertas

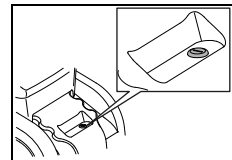
i INDICAÇÃO

Os cuidados a ter com as baterias isentas de manutenção limitam-se a respeitar as regras do carregamento correto e a curva de carga corretamente ajustada.

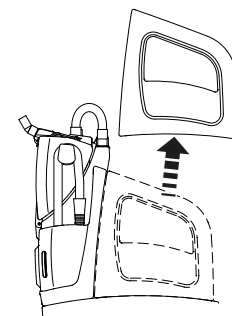
Abrir o compartimento da bateria para a manutenção

- A máquina tem de estar desligada.
- Retire o banco do condutor da tampa do banco e pouse-o sobre o chão.

Deste modo impedem-se ferimentos em pessoas devido queda do banco do condutor.



- Abra o compartimento da bateria com a chave fornecida



- Retire a tampa do banco e pouse-a cuidadosamente sobre o chão.

É então possível proceder à manutenção da bateria de acordo com as indicações do fabricante.

Antes da colocação em funcionamento

Travão de estacionamento

- O travão de estacionamento é desbloqueado automaticamente pela eletrónica ao acionar o pedal do acelerador.

i INDICAÇÃO

Quando a máquina está parada, o travão de estacionamento está sempre ativado.

Com a máquina ligada e também desligada.

Desengate:

i INDICAÇÃO

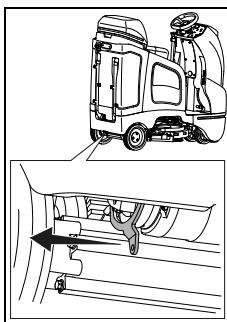
O banco do condutor está equipado com um interruptor de banco (monitorização de presença). Este interruptor de banco é acionado quando o banco do condutor está ocupado pelo pessoal operador.

Apenas com o interruptor de banco acionado é possível operar a máquina.

Desengate de emergência:

i INDICAÇÃO

Em caso de perda do comando ou da alimentação de tensão o travão de estacionamento pode ser desengatado à mão



- Para isso, a alavanca de desengate tem de ser puxada permanentemente. Esta encontra-se na roda traseira da esquerda.

Verificar paragem de emergência

⚠ CUIDADO:

O botão de paragem de emergência é um elemento de segurança importante.

- O seu funcionamento tem, por isso, de ser verificado regularmente em intervalos curtos antes da utilização da máquina.
- Ligue a máquina.
- Acione o pedal do acelerador/comutador de controlo, mantendo o manípulo a direito. A máquina põe-se em movimento a direito.
- Prima então a paragem de emergência.

i INDICAÇÃO

A máquina tem de travar bruscamente até à paragem completa, marchando a direito sem correção da direção.

STOP PERIGO:

Se não se verificar uma destas funções, a máquina tem de ser colocada fora de serviço até uma reparação correta por um parceiro de assistência técnica TASKI autorizado.

Dispositivos de aviso

⚠ ATENÇÃO:

Dispositivos de aviso como a luz de aviso, luz flash e o sinal sonoro na marcha atrás têm de ser verificados regularmente quanto à sua funcionalidade. Funcionamentos deficientes têm de ser corrigidos de imediato.

A operação da máquina com dispositivos de aviso em falta ou defeituosos exige um cuidado e atenção especiais.

- Os dispositivos de aviso não devem ser tapados.

⚠ ATENÇÃO:

As disposições nacionais prevalecem sempre.

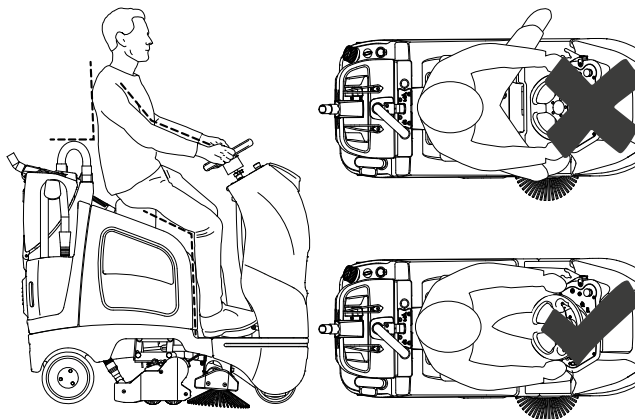
- Estas podem exigir outros comportamentos e têm de ser impreterivelmente observadas.

Regular a posição do banco

i INDICAÇÃO

O banco do condutor e o volante podem ser regulados como desejar, por forma a obter uma posição do banco confortável.

Postura sentada recomendada

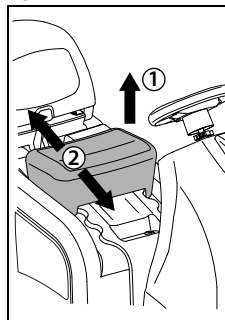


⚠ ATENÇÃO:

Tenha em atenção uma postura sentada correta. As pernas não podem passar para além da máquina lateralmente.

Caso contrário, podem ocorrer ferimentos graves em passagens estreitas e também em objetos fixos (por ex. balaustradas, pilares, etc.) na zona de limpeza.

Ajustar o banco do condutor

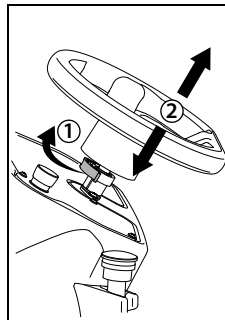


- A posição do banco do condutor pode ser regulada levantando-o [1] e deslizando-o [2].

i INDICAÇÃO

Certifique-se de que o banco do condutor está posicionado corretamente nas ranhuras previstas para o efeito.

Regular o volante



- Desbloqueie o dispositivo de bloqueio [1], coloque o volante [2] na posição desejada e volte a bloquear o dispositivo de bloqueio.

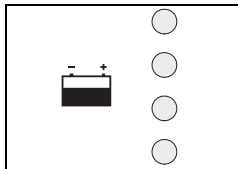
Manobra de deslocamento

O sentido do deslocamento é controlado com o volante e velocidade com o pedal do acelerador. A velocidade é regulada de modo contínuo.

Ao libertar o comutador de controlo, a máquina é travada até imobilizar e o travão de estacionamento é ativado.

Marcha para a frente

- Ligue a máquina (interruptor de chave).



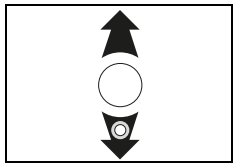
- Todos os elementos indicadores acendem por breves instantes. O indicador de bateria sinaliza a prontidão da máquina. (em caso de anomalia consultar a página 53).

- Para avançar para a frente basta premir o pedal do acelerador.

⚠ CUIDADO:

Ao curvar a velocidade é reduzida eletronicamente.

Marcha para trás



- Ao acionar o botão de marcha atrás, o indicador em baixo acende-se e é emitido um sinal sonoro.

Deslocamento da máquina (em caso de defeito)

i INDICAÇÃO

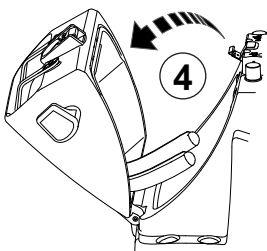
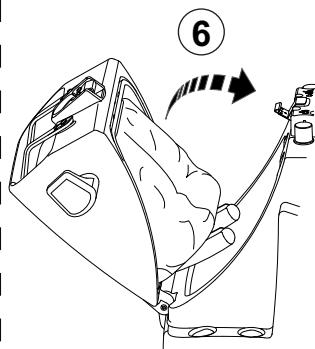
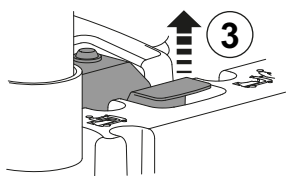
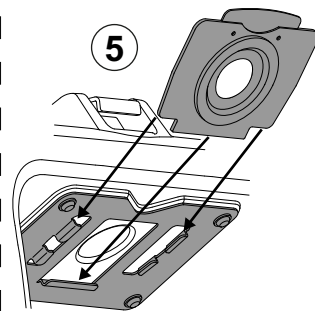
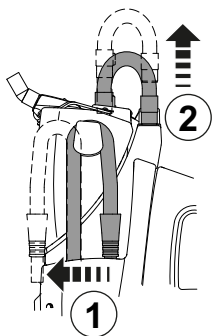
O deslocamento da máquina só pode, geralmente, ser realizado a dois.

⚠ ATENÇÃO:

Devido ao peso elevado, o deslocamento manual da máquina está associado a alguns riscos! Um desliz pode provocar lesões pessoais e danos na máquina.

- O deslocamento só é possível através do acionamento do botão/da alavanca de desbloqueio. (ver página 47)

Colocar o saco de pó



i INDICAÇÃO

Nunca utilize a máquina sem o saco do pó de feltro colocado.

Colocar as escovas cilíndricas

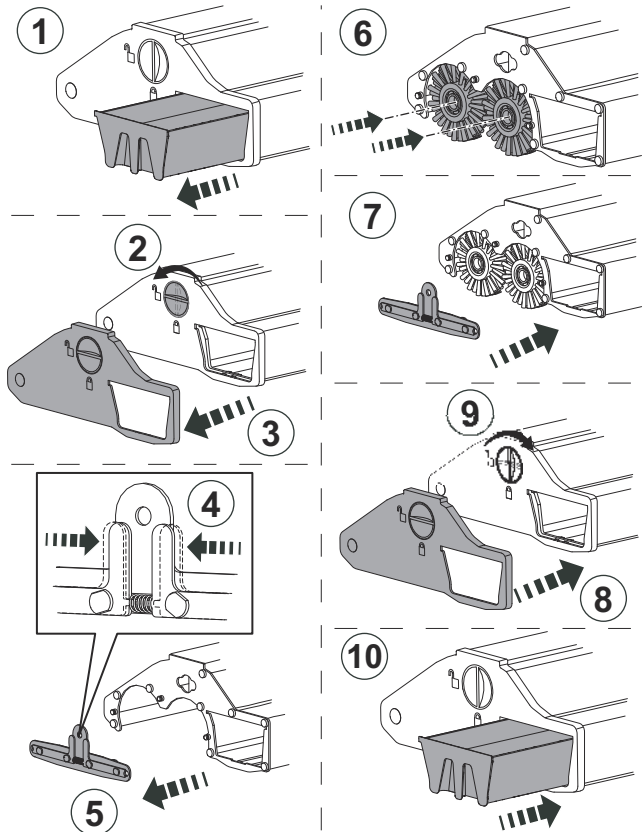
Antes de colocar verificar:

- se a escova não excede a marcação vermelha/amarela ou 1,4 cm do comprimento das cerdas.

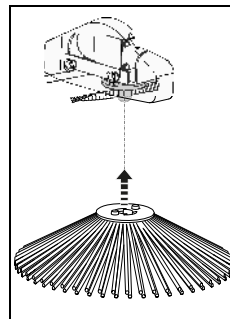
⚠ CUIDADO:

Não utilizar escovas que já tenham atingido o limite de desgaste. Utilizar exclusivamente ferramentas originais da TASKI.

A não observância pode causar resultados insatisfatórios de limpeza até dano no pavimento.



Colocar a escova lateral



- Pressione a escova lateral para cima para o alojamento previsto para o efeito.
- Rode a escova lateral no sentido dos ponteiros do relógio até os grampos encaixarem nos orifícios de alojamento.

i INDICAÇÃO

Assim que não seja possível, rodar a escova lateral manualmente, esta está corretamente colocada.

Técnica de aplicação

Máquina	
Limpeza a húmido	não
Limpeza básica	não
Champonização molhada	não
Champonização a seco	não
Limpeza a seco (pavimento duro e tapete)	sim

Início de trabalho

CUIDADO:

Durante os trabalhos com esta máquina deve ser usado calçado antiderrapante e roupa de trabalho apropriada!

CUIDADO:

Trabalhe sempre com as duas mãos no volante/na alavanca de condução durante a operação da máquina, por forma a garantir uma operação segura.

CUIDADO:

Em primeiro lugar, familiarize-se com a máquina, realizando as primeiras tentativas de utilização num espaço aberto e desimpedido!

ATENÇÃO:

Antes do início de trabalho, verifique (na posição de trabalho) se o seu campo de visão é suficiente para garantir um trabalho seguro. A EN 3411 tem de ser observada.

Um campo de visão insuficiente pode dificultar o trabalho e limitar a segurança do operador, da máquina e de terceiros.

ATENÇÃO:

Durante o trabalho, tenha em atenção a altura de passagem máxima em portas e passagens subterráneas indicada na placa de advertência da máquina.

PERIGO:

Se durante a utilização da máquina existir o perigo de queda de objetos, é necessário tomar ou respeitar as medidas de proteção necessárias de acordo com as disposições nacionais.

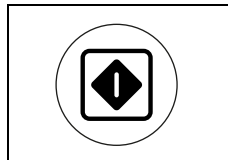
INDICAÇÃO

Em trabalhos em edifícios públicos, a luz de aviso tem de estar ligada.

- Sente-se no banco do condutor.
- Verifique se o botão de paragem de emergência está bloqueado.
- Ligue a máquina (interruptor de chave).

Os elementos indicadores acendem-se por breves instantes.

Iniciar com o botão do programa



- Ao premir o botão do programa todas as funções da máquina são iniciadas no início de trabalho ou passo de trabalho seguinte com os valores de funcionamento utilizados por último.

INDICAÇÃO

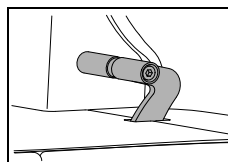
Os valores ajustados podem ser adaptados em qualquer altura durante o processo de trabalho. Os valores ajustados ao desligar serão memorizados e reativados ao voltar a ligar automaticamente.

INDICAÇÃO

Ao premir o botão do programa no fim da operação é iniciado um programa otimizado para o fim da operação: Ver descrição na página 51 em baixo (operação automática).

Os ajustes e funções ativadas são guardados.

Arranque da limpeza



- Com a máquina ligada e um operador no banco do condutor a máquina é colocada em movimento assim que o pedal do acelerador é acionado. A unidade de escovas e a escova lateral são iniciadas.

INDICAÇÃO

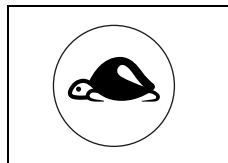
A velocidade de deslocação é controlada através da posição do pedal do acelerador. Ao libertar o pedal do acelerador a máquina é travada automaticamente até parar e o travão de estacionamento é ativado.

A escova lateral e a unidade de escovas são paradas.

CUIDADO:

Ao trabalhar em zonas de transição ou estreitas recomendamos que prima o botão Abordagem lenta LIGADO/DESLIGADO. (ecrã acende)

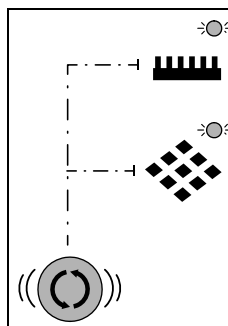
Desta forma a velocidade de trabalho máxima é reduzida e o perigo de acidentes diminuído.



- Voltando a premir o botão o limite é desbloqueado e o ecrã apaga.

Colocar unidade de escovas

A unidade de escovas pode ser individualmente ajustada para dois pisos diferentes.



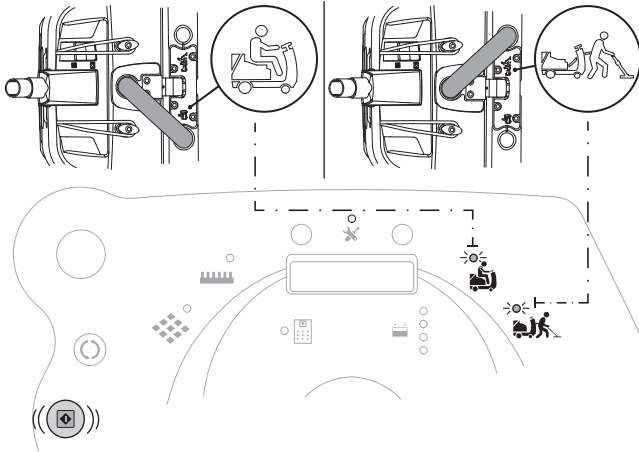
- Para o ajuste, pressione o botão Ajuste tapete / pavimento duro. No painel de controlo é exibida a seleção ajustada.

Modos de trabalho

Na máquina estão previstos dois modos de trabalho diferentes. Um modo Automático e um Manual.

Modo Automático

Modo Manual



i INDICAÇÃO

Em determinadas circunstâncias, com combinações especiais de revestimento do pavimento/sujidade e produto de limpeza pode ser afetada a guia da máquina.

- Através de rodas disponíveis como opção, é possível melhorar a tração da máquina sobre o pavimento. Contacte o seu consultor TASKI.

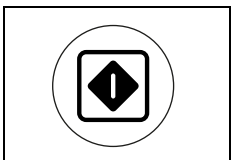
Capacidade da bateria - Fim do estado de prontidão operacional

O indicador de bateria informa sobre o tempo de trabalho disponível.

- Quando o indicador vermelho começa a piscar, restam ainda aprox. 5 minutos de tempo de trabalho.
- Em seguida, a unidade de escovas e a escova lateral são levantadas. O indicador vermelho alterna para luz permanente.
- Restam ainda mais 10 minutos até deslocar a máquina para a estação de carga. Depois a máquina desliga-se automaticamente.
- Para uma nova colocação em funcionamento, as baterias têm de ser carregadas por completo.

Fim da operação

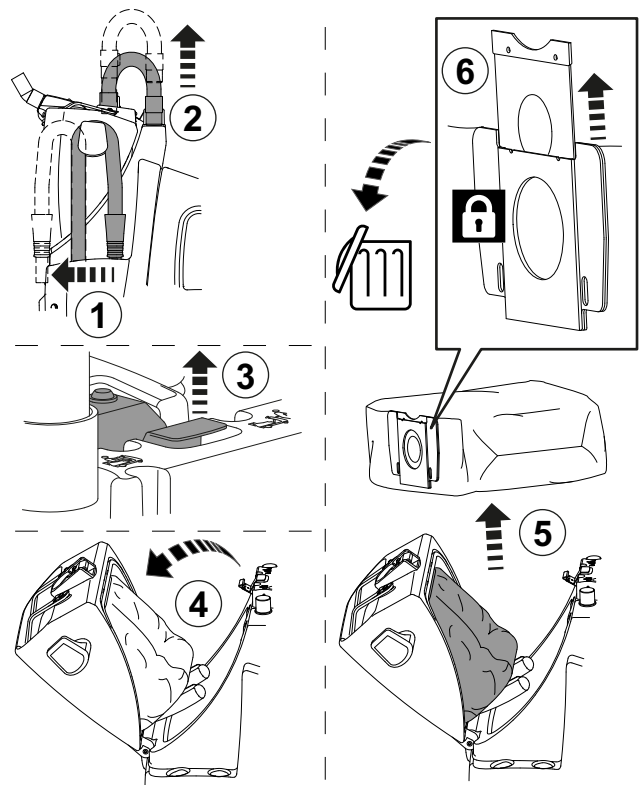
Processo automático



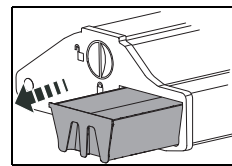
- Prima o botão Programa LIG/DES-LIG.

- O motor de aspiração é desligado.
- A escova lateral e a unidade de escovas são paradas e levantadas.

Substituir o saco de pó

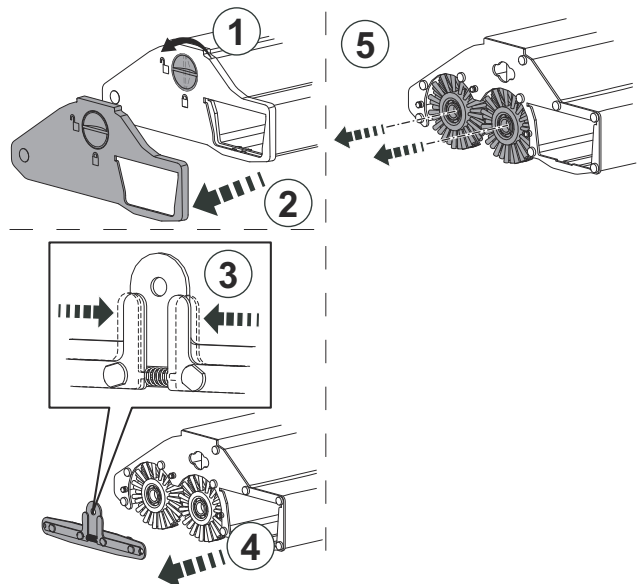


Remover e limpar o filtro de sujidade



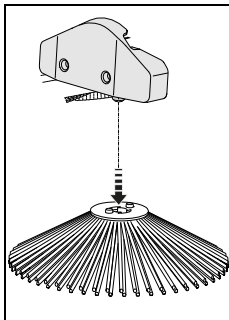
- Esvaziar o filtro de sujidade e aspirar o pó restante com um aspirador.

Remover e limpar as escovas cilíndricas



- Liberte a escova de cabelos enrolados ou similar e aspire o pó restante com um aspirador.

Remover e limpar a escova lateral



- Liberte a escova lateral de cabelos enrolados ou similar e aspire o pó restante com um aspirador.

Limpeza da máquina

⚠ CUIDADO:

Nunca limpe a máquina com um dispositivo de limpeza a alta pressão ou com jato de água.

A água infiltrada na máquina pode causar danos nas peças mecânicas ou elétricas.

- Limpe a máquina com um pano húmido.

Armazenar / Estacionar a máquina (fora de funcionamento)

i INDICAÇÃO

Armazene a máquina com a unidade de escovas levantada e escovas desmontadas.

⚠ CUIDADO:

Nunca guarde a máquina com baterias descarregadas.

As baterias ficam irreparavelmente danificadas.

Assistência técnica, manutenção e cuidado

A manutenção da máquina é condição obrigatória para uma operação em perfeitas condições e para uma maior vida útil.

⚠ CUIDADO:

Só podem ser utilizadas peças originais da TASKI, caso contrário os direitos de garantia e de indemnização perdem validade.

i INDICAÇÃO

Para excluir funções acidentais da máquina, efetue sempre os seguintes passos antes de iniciar os trabalhos de manutenção

- desligue a máquina,
- retire a chave e
- acione a paragem de emergência.

Explicações dos símbolos:

- ◇ = A cada final do processo de limpeza,
- ◇◇ = todas as semanas, ◇◇◇ = todos os meses,
- ⊗ = Assistência técnica Lâmpada

Tarefa	◇	◇◇	◇◇◇	⊗	Página
Carregar baterias	•				47
Limpar todas as peças marcadas a amarelo	•				
Limpar escovas cilíndricas	•				51

Explicações dos símbolos:

- ◇ = A cada final do processo de limpeza,
- ◇◇ = todas as semanas, ◇◇◇ = todos os meses,
- ⊗ = Assistência técnica Lâmpada

Tarefa	◇	◇◇	◇◇◇	⊗	Página
Limpar escova lateral	•				52
Verificar/substituir o saco de pó	•				51
Verificar/substituir filtro de pano	•				44
Verificar/substituir filtro de exaustão		•			44
Verificar/substituir filtro HEPA		•			44
Limpar a máquina com um pano húmido	•				52
Verificar botão de paragem de emergência				•	47
Programa de manutenção / de assistência técnica executado pelo técnico de assistência da Diversey				•	

Intervalos de manutenção

As máquinas TASKI são máquina de elevada qualidade, com segurança comprovada de fábrica por auditores autorizados. Os componentes elétricos e mecânicos estão sujeitos ao desgaste e envelhecimento quando utilizados por longos períodos de tempo.



- Para preservar a segurança da operação e a prontidão operacional tem de ser executado um serviço de assistência técnica sempre que acender o indicador de assistência (configuração de fábrica 650 horas de trabalho) ou pelo menos uma vez no ano.

i INDICAÇÃO

Em caso de condicionantes extraordinárias e/ou manutenção insuficiente devem ser estabelecidos intervalos mais curtos.

Serviço ao cliente

Se, devido a uma avaria, entrar em contacto connosco, deverá indicar-nos sempre a designação do modelo e o número da máquina. Estas informações encontram-se na placa de características da sua máquina. Na última página das instruções de utilização encontrará o endereço do seu representante de assistência técnica TASKI mais próximo.

Avárias

Avaria	Causa possível	Resolução da avaria	Página
Não é possível ligar a máquina sem função	Máquina desligada	• Girar a chave	44
	Interruptor de paragem de emergência pressionado	• Desbloqueie o interruptor de paragem de emergência	44
	Código de erro no visor	• Contactar o representante de assistência técnica	54
	Imobilizador ativado ou erro no comando	• Sente-se no banco do condutor	
	Baterias descarregadas ou carregador da bateria defeituoso	• Carregar bateria • Contactar o representante de assistência técnica	47
	Bateria com defeito	• Contactar o representante de assistência técnica	
Escova não roda	Escova da unidade desligada	• Pressionar botão Programa	44
	Rotação do motor, mas não da ferramenta	• Correia de acionamento defeituosa • Verifique se a ferramenta está enfiada • Contactar o representante de assistência técnica	
Potência de aspiração fraca	A mangueira de sucção não está corretamente colocada	• Inserir mangueira de sucção	51
	Mangueira de sucção entupida	• Limpar a mangueira de sucção	44
Não é possível desligar a unidade das escovas ou a unidade de sucção	Erro no sistema eletrónico ou no painel de controlo	• Desligar a máquina com recurso à paragem de emergência • Contactar o representante de assistência técnica	44

Dados técnicos

Máquina		
Largura de trabalho	65	cm
Largura dos cilindros	51	cm
Medidas (C x L x A)	135 x 58 x 128	cm
Peso máximo da máquina em estado de prontidão operacional	380	kg
Voltagem	24V	CC
Potência nominal	1300	W
Volume útil	15	l

Valores apurados de acordo com a IEC 60335-2-72		
Nível de pressão acústica LpA	<70	dB(A)
Instabilidade KpA	2,5	dB(A)
Valor total de vibração	<2,5	m/s ²
Instabilidade K	0,25	m/s ²
Protegido contra salpicos de água	IPX3	
Classe de proteção	III	

Acessórios

N.º	Artigo
7524872	Saco de pó de feltro de uma via AERO 3500 (embalagem de 10 unidades)
7524873	Filtro HEPA H13 AERO 3500
7524874	MopBox apoio AERO 3500
7524875	Porta ferramentas AERO 3500
7524877	Escovas cilíndricas Kit AERO 3500
7524878	Escova lateral AERO 3500
7524879	Filtro de pano AERO 3500 (embalagem de 5 peças)
7524880	Filtro de exaustão AERO 3500 (embalagem de 5 peças)

Códigos de erro

Códigos de erro exibidos no visor.

i INDICAÇÃO

Se for exibido um código de erro, desligar e voltar a ligar a máquina

Ao desligar e ligar a máquina, um erro registado poderá eventualmente ser eliminado.

Transporte

⚠ ATENÇÃO:

Esta máquina só pode ser levantada com meios auxiliares (por ex., plataforma de elevação, rampa de acesso, etc.).

⚠ CUIDADO:

A tomada para desligar bateria deve ser retirada para o transporte.

i INDICAÇÃO

Transporte a máquina na vertical.

i INDICAÇÃO

Ao fazê-lo certifique-se de que a máquina está presa com cintas e bem fixada no veículo de transporte.

Eliminação

i INDICAÇÃO

Depois de desmantelada, a máquina e os acessórios devem ser reciclados de modo correto, em conformidade com as normas nacionais.

- O seu representante da assistência técnica Diversey pode ajudá-lo na tarefa.

Baterias

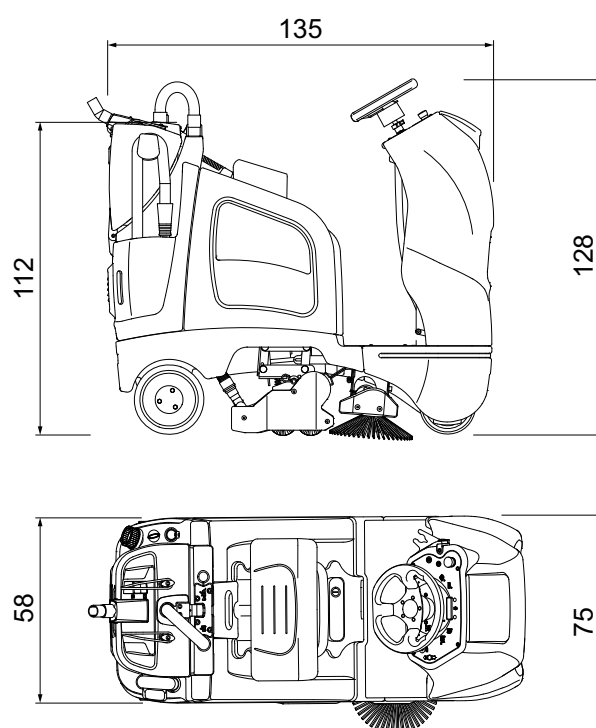
⚠ ATENÇÃO:

As baterias têm de ser retiradas da máquina antes de esta ser encaminhada para o ponto de eliminação.

As baterias usadas são eliminadas de forma ecológica de acordo com as diretivas EU 2006/66/CE ou com as respetivas disposições nacionais.

Dimensões da máquina

Medidas em centímetros!



AT Diversey Austria Trading GmbH Guglgasse 7-9 1030 Wien Tel (43) 1 605 57 0	BE Diversey Belgium BVBA Haachtsesteenweg 672 1910 Kampenhout Tel (32) 16 61 77 06	CH Diversey Europe B.V., Utrecht Zweigniederlassung Münchwilen Eschlikonerstrasse 9542 Münchwilen Tel (41) 71 969 27 27	CZ Diversey Ceska republika, s.r.o K Hájum 1233/2 155 00 Praha 5 Tel (420) 296 357 460
DE Diversey Deutschland GmbH & Co. OHG Mallaustrasse 50-56 68219 Mannheim Tel (49) 0800 82 75 473	DK Diversey Danmark ApS Teglbuén 10 2990 Nivaa Tel (45) 70 10 66 11	ES Diversey España S.L. C/Orense 4, 5 planta 28020 Madrid Tel (34) 91 394 01 75	FI Diversey Elieel Saarisentie 2 00400 Helsinki Tel (358) 20 747 42 30
FR Diversey (France) S.A.S. 9/11, avenue du Val de Fontenay 94133 Fontenay sous Bois Cédex Tel (33) 1 45 14 76 76	GB Diversey Limited Weston Favell Centre NN3 8PD Northampton Tel (44) 1604 405 311	GR Diversey Hellas S.A. 5 Himaras St 15125 Marousi Tel (30) 210 638 59 00	HU Diversey Ltd. Puskás Tivadar u. 6. 2040 Budaors Tel (36) 23 509 100
IE Diversey Hygiene Sales Limited Ballyfermot office Westlink industrial estate Kylemore road Dublin 10 Tel (353) 1 626 11 82	IT Diversey S.r.L. Via Meucci 40 20128 Milano Tel (39) 02 25 80 32 33	MT Forestals (Appliances) Ltd. The Strand SLM 07 Sliema Tel (356) 21 344 700-7	NL Diversey B.V. Maarssebroeksedijk 2 P.O. Box:40441 3542 DN Utrecht Tel (31) 30 247 69 11
NO Lilleborg Profesjonell Postboks 673 - Skøyen 0214 Oslo Tel (47) 815 36 000	PL Diversey Polska Sp. z.o.o. Ul.Fabryczna 5a 04-028 Warszawa Tel (48) 22 516 30 00	PT Diversey Portugal-Sistemas de Higiene e Limpeza Unipessoal Lda Rua Victor Cãmara Edifício Q61 D. Amélia, 1º andar, Lado B Quinta da Fonte 2770-229 Paço de Arcos Tel (351) 2 191 57 000	RO Diversey Romania S.R.L. Baneasa Business Center, Etaj 5 Sos.Bucuresti - Ploiesti 17-21 Sector 1, Bucuresti Tel (40) 21 233 3894
RU LLC Diversey 125445, Russia, Moscow, 24D Smolnaya str, Meridian Commercial Tower 2d floor Tel (7) 095 970 17 97	SV Diversey Sverige AB Liljeholmsvägen 18 Box 47313 10074 Stockholm Tel (46) 877 99 300	SK Diversey Slovensko s.r.o Rybničná 40 831 06 Bratislava Tel (421) 2 4445 4895	SL Diversey d.o.o. Trzaska cesta 37a 2000 Maribor Tel (386) 2 320 7000
TR Diversey Sanayi ve Ticaret A.S. İçerenköy Mahallesi, Bahçelerarası Sok.No:43 34752 Ataşehir / İstanbul, Türkiye Tel (90) 216 57 86 400	US Diversey 2415 Cascade Pointe Boulevard Charlotte, NC USA, 28277 Tel 1-800-827-5487	CA Diversey 3755 Laird Road Mississauga, Ontario CANADA L5L 0B3 Tel 1-800-827-5487	